



IQ4 Pipeline - Metal Detection System

Designed for the Pumped products

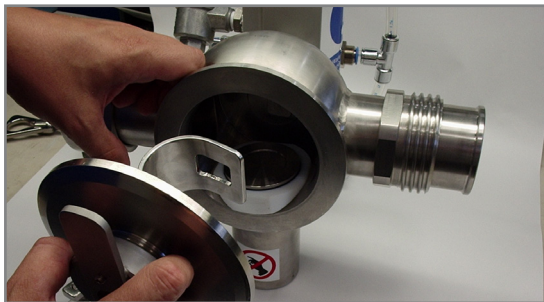
Product Highlights

- Designed to be mounted on either a stand or L bracket, the IQ4 Pipeline is made to inspect pumped products such as soups, sauces, jams or dairy
- Robust components designed for sterile in place (SIP) cleaning at the end of each product run to comply with hygiene standards (EN1672-2)
- Color 7" touchscreen control interface including multi-level password access and data logged events for traceability
- IP69K environmental protection suitable for both high-care and low-care environments
- Fully integrated Performance Validation software



7" Touchscreen with a new easy to use interface

Standard across all of the IQ4 range, the big 7" touchscreen offers 33% more space than previous generation metal detectors and improves usability.



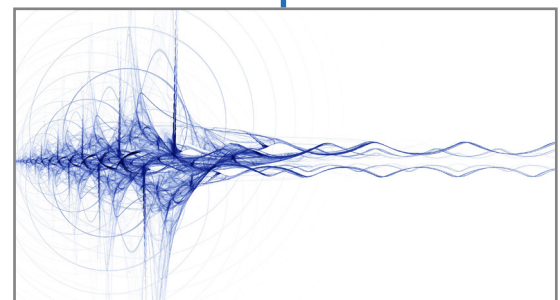
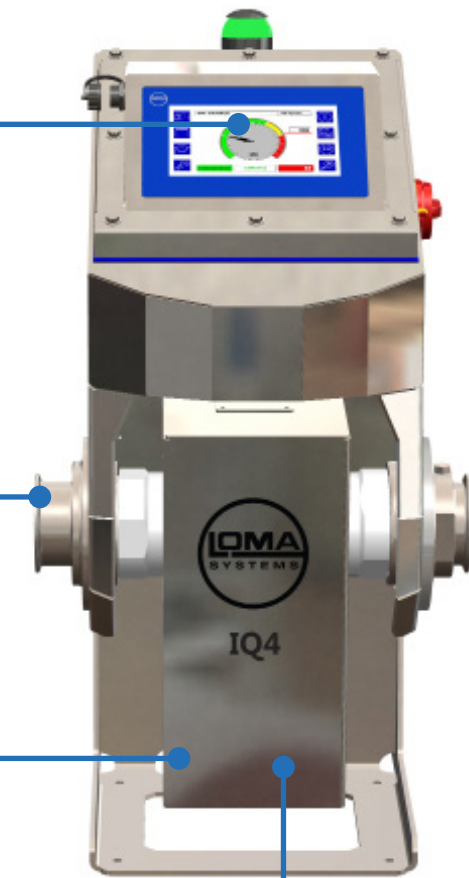
Expertise in Different Product Applications

With over 20 years of research and development in Pipeline applications, our experts know the right reject options for a variety of different products.



Suitable for High Temperature Products

The IQ4 Pipeline is designed to be compatible with both high and low temperature products offering fantastic detection levels.

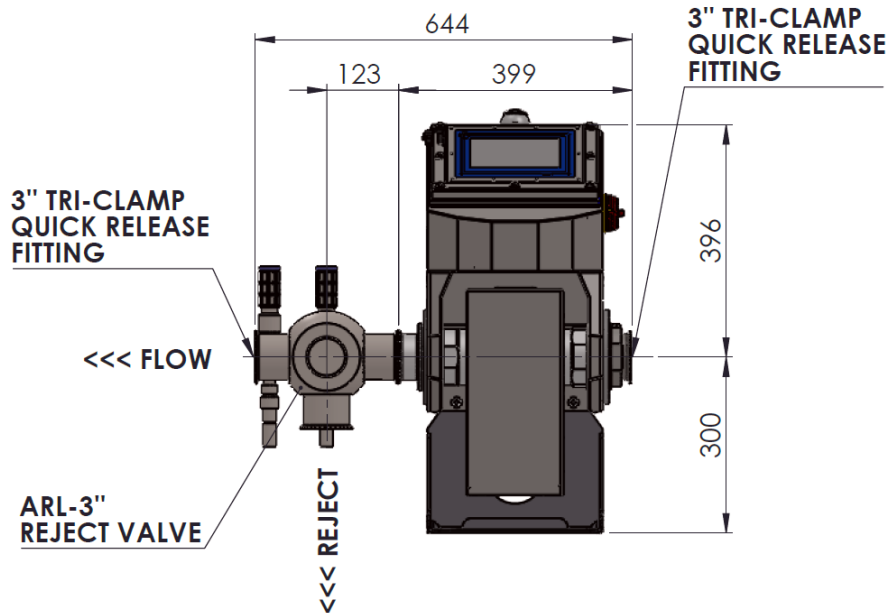


Variable Frequency Provides the Best Detection Levels

The IQ4 Pipeline features LOMA's revolutionary Variable Frequency technology that allows detection levels to be optimized around a wide range of differing product conditions, including whether they are wet or dry.

Technical Specification

Pipe Diameter (")	2.0,3.0,4.0
Pipe Connections	Tri Clamp
Finish	304 stainless steel
Mounting Options	L Bracket, Stand
Supply Voltages	85 to 265 V, single phase 50/60 Hz, neutral & Earth
Power Consumption	20 VA
Air Supply	5 to 8 Bar (10mm Outside Dia) 72-116 PSI
Temperature Range	-10 to +40 °C (14 to 104 °F)
Humidity	0 to 95% Relative Humidity (Non-condensing)
IP Rating	IP69K
PVS Enabled	Yes
Reporting	Batch, Shift
Data Retrieval	Via USB, Ethernet, TRACS
Optional Extras	Remote Control Box



Automatic Reject Options

The IQ4 Pipeline can be specified with an automatic reject station with the following options:

	Reject Type	Availabe Sizes (")
Non - Meat	ARL-60 (Rotary)	2.0, 3.0, 4.0



CÔNG TY TNHH CÔNG NGHỆ HOÀNG LONG
468 Lê Hồng Phong, P.1, Q.10, Tp. HCM
Điện Thoại: 028.38.398.999
Hotline: 0907.686.889

Email: info@congnghohoanglong.com
Website: www.congnghohoanglong.com
www.lomalock.vn

VĂN PHÒNG ĐẠI DIỆN TẠI MIỀN TRUNG
602 Nguyễn Hữu Thọ, P. Khuê Trung
Q. Cẩm Lệ, Tp. Đà Nẵng
Điện thoại: 0236.3.686.889

Email: hoanglongtechnology@gmail.com

In association with

