

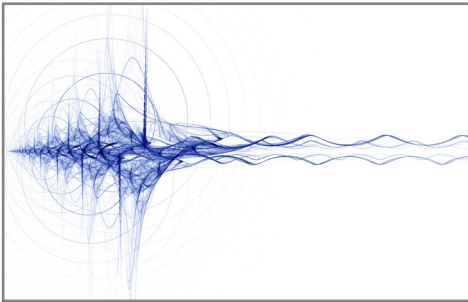


IQ4 Waferthin - Throat Metal Detector

Designed for the Food Industry

Product Highlights

- Compact system designed to be installed between gravity feed hoppers, multihead weighers and bagging machines with minimal metal free zone required
- Designed for inspecting dried foods, snacks & confectionary
- Side and face mount as standard, pivot mounting optional
- Optional 3 part product tube available for easy removal and cleaning
- Can be integrated with control systems on bagging machines or multi-head weighers for maximum efficiency and total quality assurance
- Integrated Digital Search Head and DDS Vector display to deliver perfect product setups
- Four password protected security levels are provided for Operator, Supervisor, Quality and Engineering



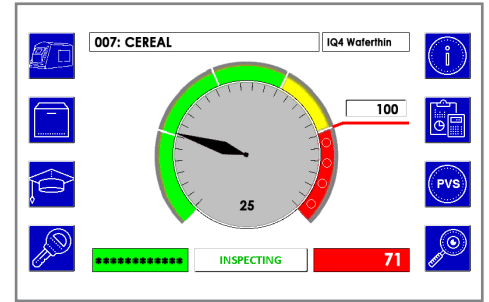
Variable Frequency Provides the Best Detection Levels

The IQ4 is built using LOMA's revolutionary Variable Frequency technology that allows detection levels to be optimised around a wide range of differing product and packaging conditions.



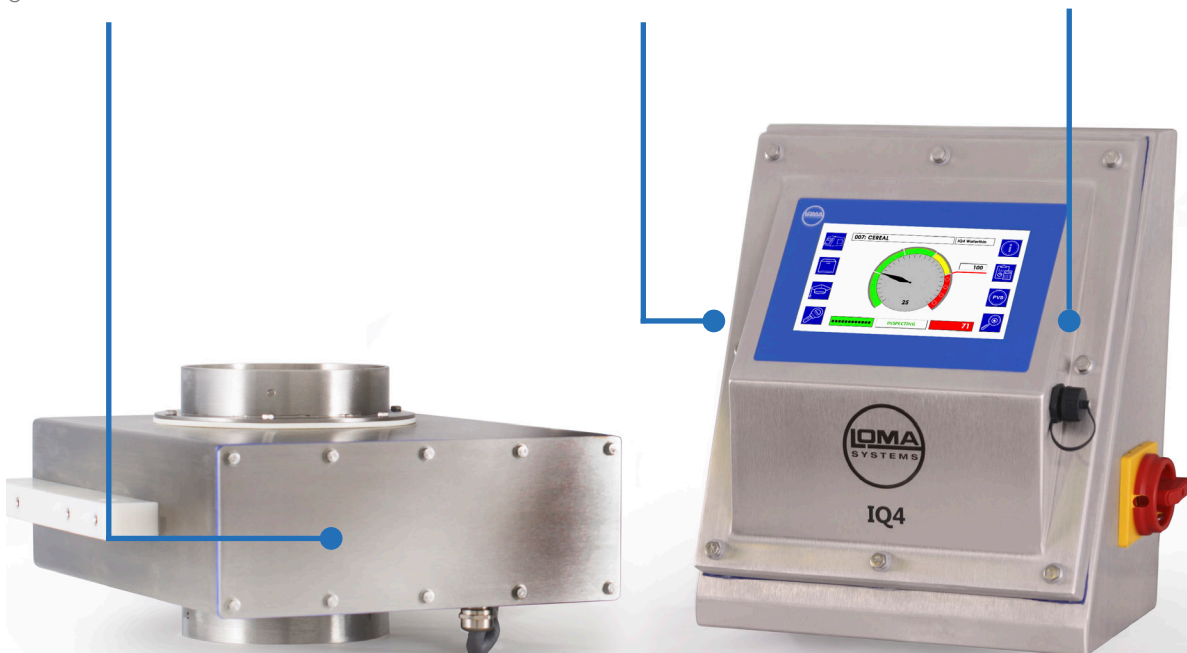
Auto Learn Provides Simple and Fast Set-up

The IQ4 Waferthin will automatically set-up and store 200 different pre-sets, calibrating for product effect and loose material as the product passes through the system.



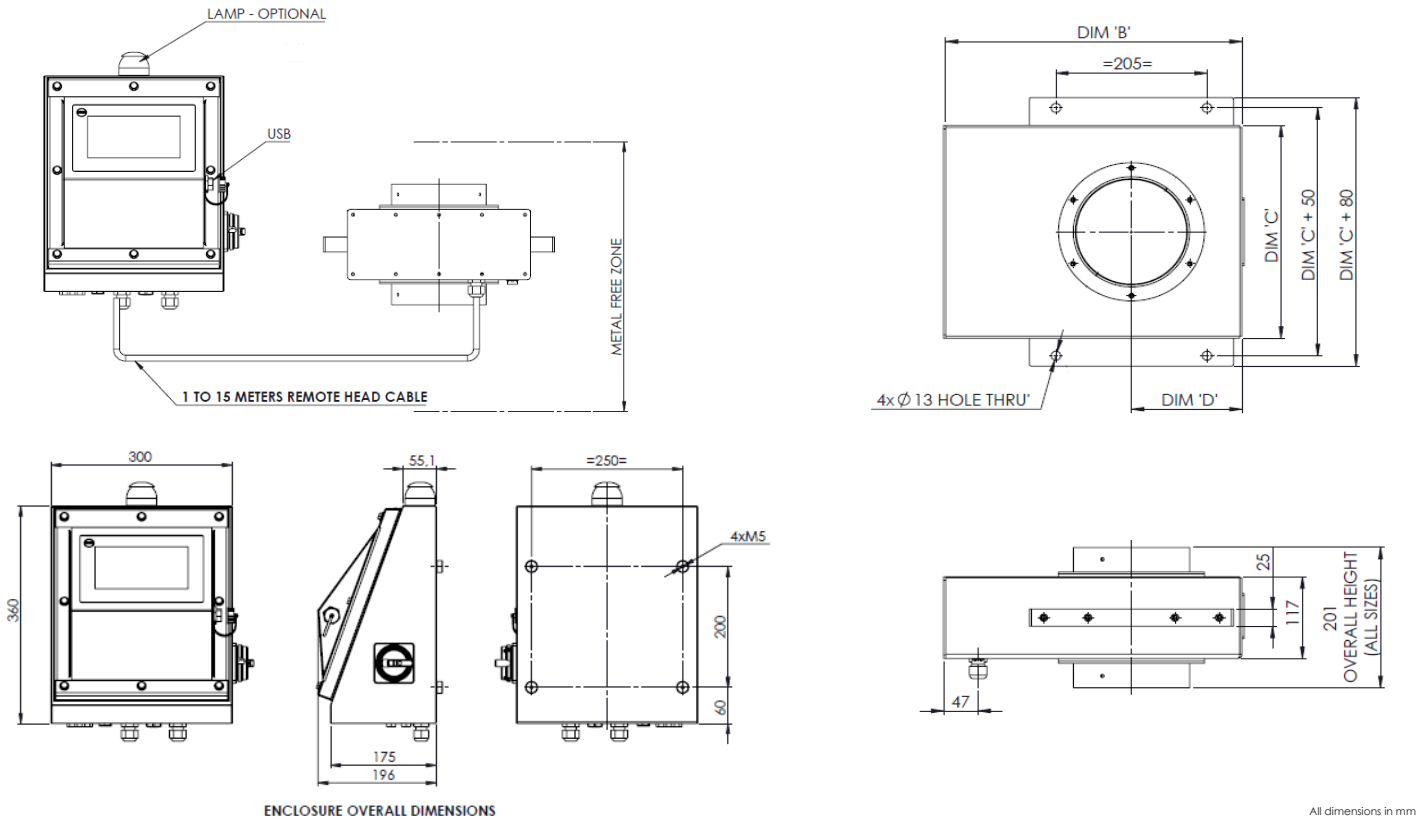
7" Colour Touchscreen

Standard across all of the IQ4 range, the big 7" touchscreen that makes key operations simple.



Technical Specification

Material of Construction	304 Brushed stainless steel
True Variable Frequency	31 to 882KHz
Supply Voltages	110 - 250V AC 50/60Hz
Power Consumption	20VA
Temperature Range	-10 to 40°C (14 to 104°F)
Humidity	0 to 95% Relative Humidity (Non-condensing)
Environment	IP69K
PVS Enabled	Yes
Ethernet Capability	Yes
USB Capability	Yes



Available Aperture Sizes

HEAD APERTURE DIA (mm)	102	127	152	178	203	219	227	238	254	269	333
DEPTH B (mm)	402			460			490			552	
WIDTH C (mm)	305			370			420			472	
DIMENSION D (mm)	150			180			210			226	
METAL-FREE ZONE (with screen rings) (mm)	260	295	330	366	401	424	435	450	473	494	583



An ITW Company

Loma Systems is a registered trademark of Illinois Tool Works Inc. (ITW). Other names, logos, icons and marks identifying our products and services referenced herein are trademarks of ITW and may not be used without the prior written permission of ITW. Other product and company names listed are trademarks or trade names of their respective companies. Copyright © 2018 Illinois Tool Works Inc. All rights reserved. All of the specifications shown in this document are subject to change without notice.

www.congnghehoanglong.com

Hotline: 0907 686 889 | Email: hoanglongtechnology@gmail.com

Metal Detection | Checkweighing | X-Ray Inspection

In association with

