

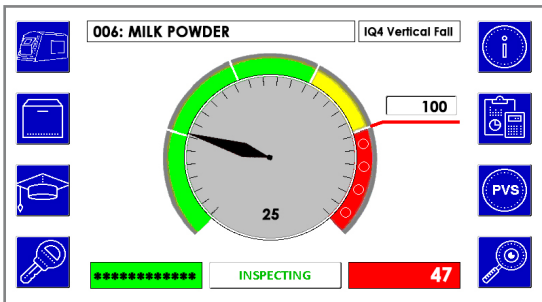


IQ4 Vertical Fall - Metal Detection System

Designed for the Food Industry

Product Highlights

- Gravity feed system for inspecting powders, granules or bulk food products
- Supplied complete with frame, throughput tube and choice of sealed valve or cowbell reject devices
- Tivar anti-static food grade throughput tube as standard
- Air failure and dump valve features included
- Four password protected security levels are provided for Operators, Supervisors, Engineering and Administration



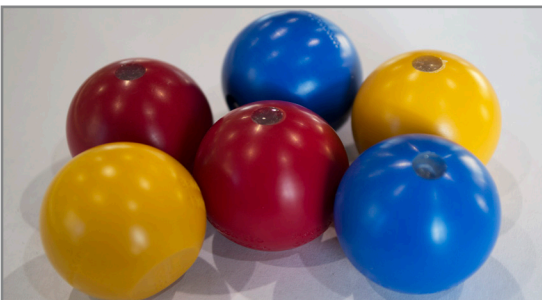
7" Colour Touchscreen

Standard across all of the IQ4 range, the big 7" touchscreen offers 33% more space than previous generation metal detectors making operations simple.



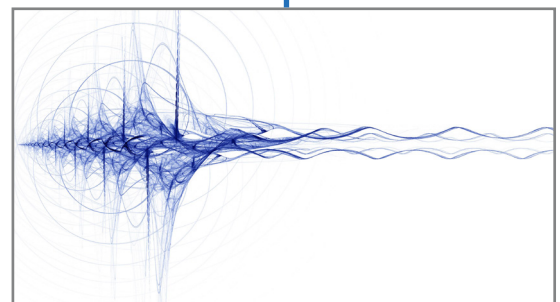
Auto Learn Provides Simple and Fast Set-up

The IQ4 Vertical Fall will automatically set-up and store up to 200 different presets, calibrating for product effect and loose material as the product passes through the system.



Best in Class Detection Levels for Magnetic and Non-magnetic Metals

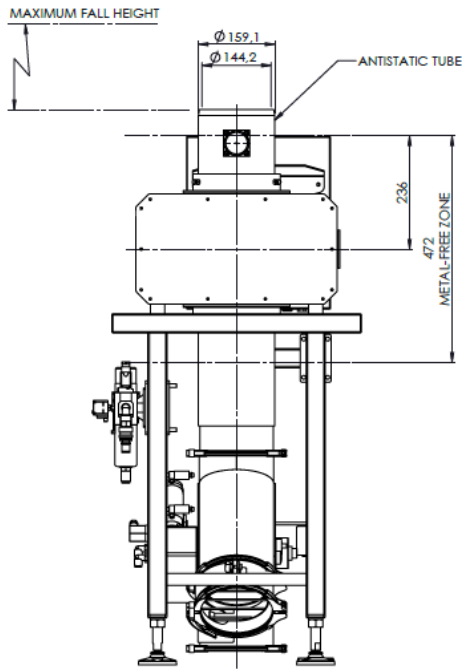
The IQ4 Vertical Fall offers excellent detection levels



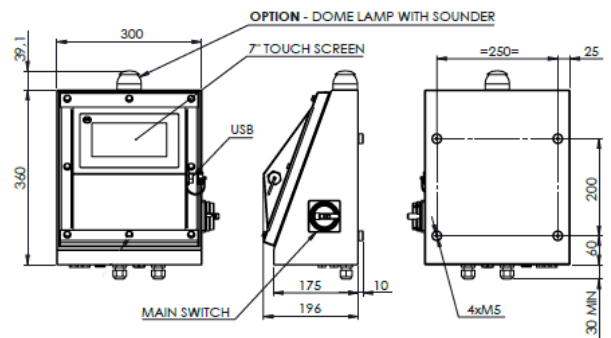
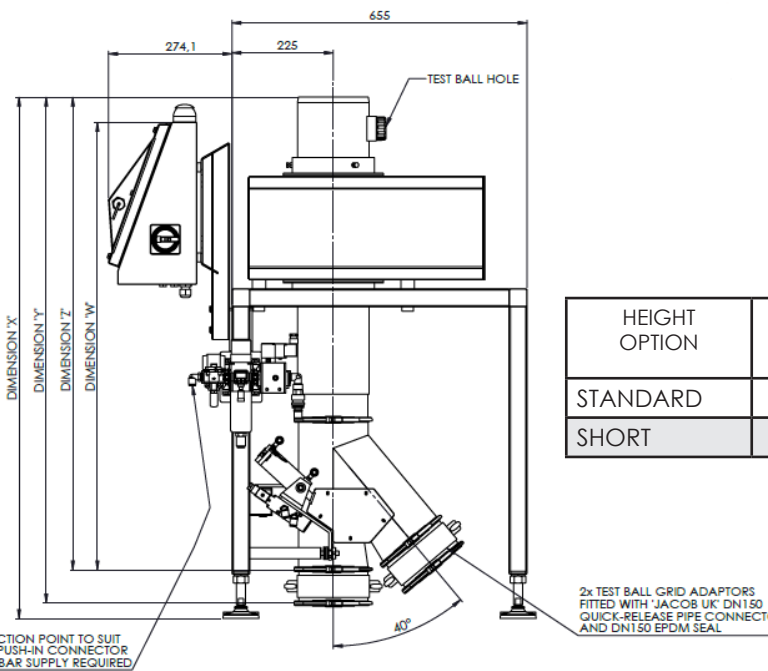
Variable Frequency Provides the Best Detection Levels

The IQ4 Vertical Fall is built using LOMA's Variable Frequency technology that allows detection levels to be optimised around a wide range of differing product conditions

Technical Specification



Material of Construction	304 Brushed stainless steel
True Variable Frequency	31 to 882 kHz
Supply Voltages	110 - 250V AC 50/60Hz
Power Consumption	20VA
Temperature Range	-10 to 40°C (14 to 104°F)
Humidity	0 to 95% Relative Humidity (Non-condensing)
Environment	IP66
PVS Enabled	Yes
Ethernet Capability	Yes
USB Capability	Yes



HEIGHT OPTION	DIMENSION 'X'	DIMENSION 'Y'	DIMENSION 'Z'	MAXIMUM FALL HEIGHT	DIMENSION 'W' MIN-MAX
STANDARD	1157	1122.5	1049	800	945 - 995
SHORT	1001	966.5	893	200	785 - 835

All dimensions in mm

Automatic Reject Options

The IQ4 Vertical Fall can be supplied with either of the below reject options:

- Sealed Valve
- Cowbell



CÔNG TY TNHH CÔNG NGHỆ HOÀNG LONG
 468 Lê Hồng Phong, P.1, Q.10, Tp. HCM
 Điện Thoại: 028.38.398.999
 Hotline: 0907.686.889
 Email: info@congnghenhoanglong.com
 Website: www.congnghenhoanglong.com
 www.lomalock.vn

VĂN PHÒNG ĐẠI DIỆN TẠI MIỀN TRUNG
 602 Nguyễn Hữu Thọ, P. Khuê Trung
 Q. Cẩm Lệ, Tp. Đà Nẵng
 Điện thoại: 0236.3.686.889
 Email: hoanglongtechnology@gmail.com

In association with

