

# TE-RC



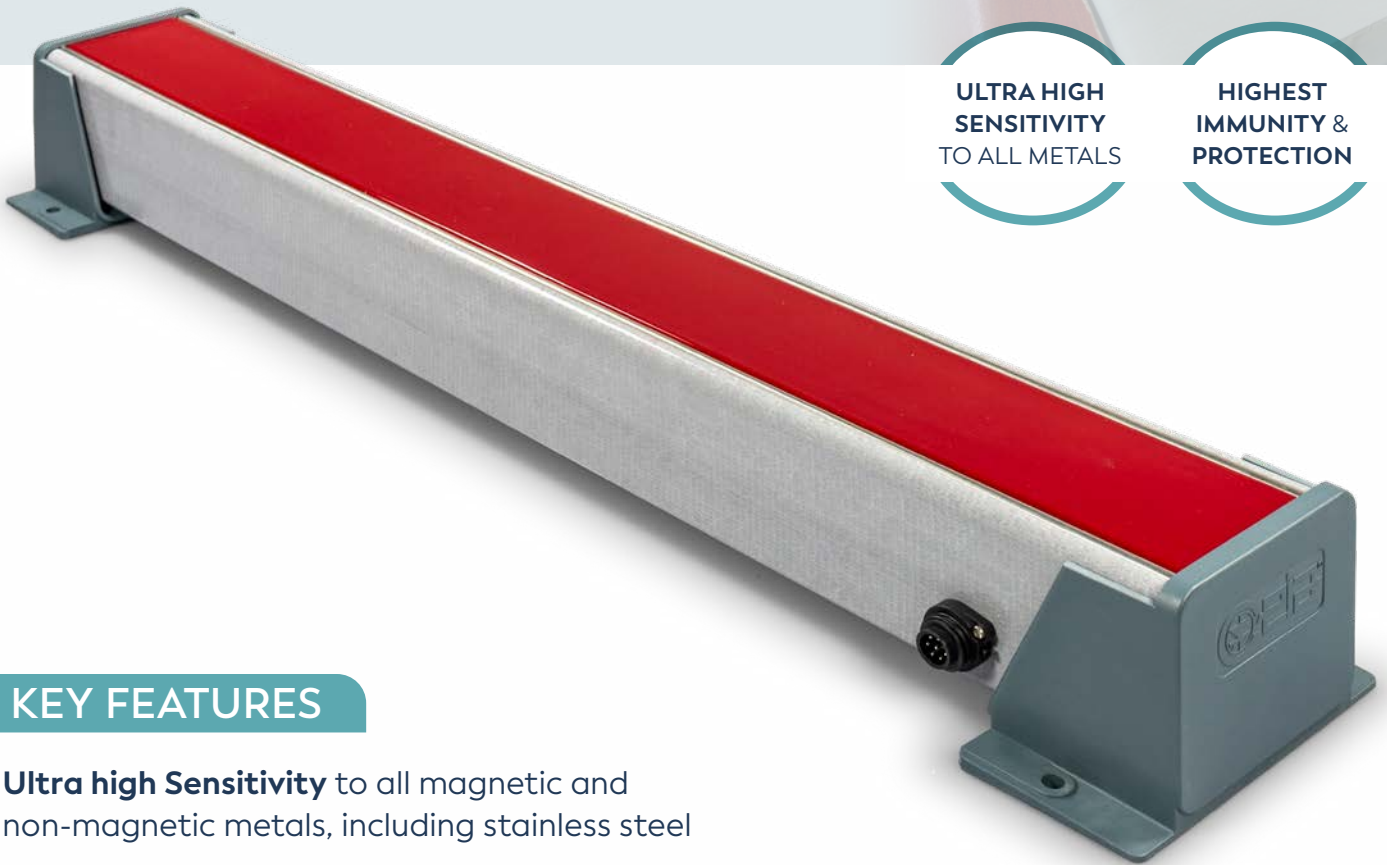
**HOANG LONG  
TECHNOLOGY**

Always for your product quality

## THE MOST ADVANCED DIGITAL BAR METAL DETECTOR FOR LEATHER

ULTRA HIGH  
SENSITIVITY  
TO ALL METALS

HIGHEST  
IMMUNITY &  
PROTECTION



### KEY FEATURES

- **Ultra high Sensitivity** to all magnetic and non-magnetic metals, including stainless steel
- **Unbreakable detection surface** due to Stainless Steel Bars protection
- **Compact** and **robust construction**
- **Highest immunity and protection** against electrostatic discharges
- **Wide Detection Speed range**, from 1 up to 600 m/min
- **Complete selection range**: more than 50 models available
- **Easy installation** and **setting**
- **High product temperature working** compliance
- **Stand-alone** and **separate control unit** version (RC) available



REMOTE CONTROL UNIT



[www.maydokimloaiceia.vn](http://www.maydokimloaiceia.vn)

QUALITY CONTROL AT ITS FINEST



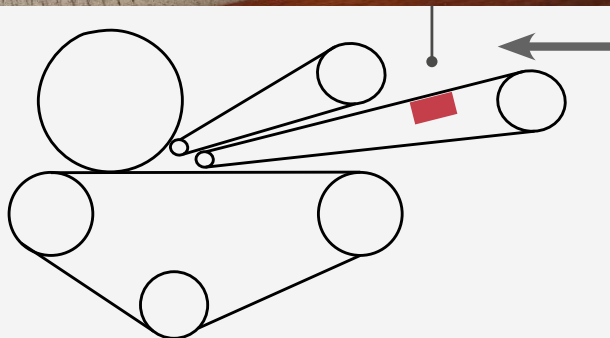
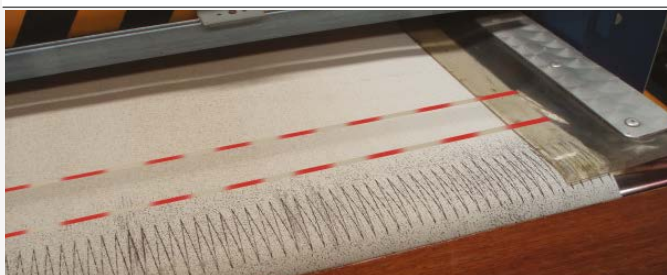
The **TE-RC Digital Metal Detector** allows detection and pinpointing of the presence of unwanted metallic objects such as may cause damage to elements of a machine in operation. Once presence of metal is detected a signal from the detector control unit can automatically stop the machine operation.

The TE-RC Metal Detector is tested to conform to Electrical Safety and Electromagnetic Compatibility standards.

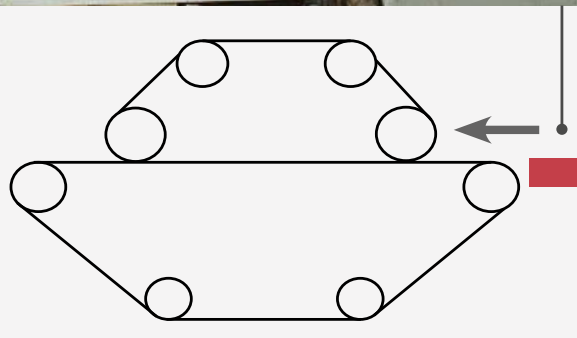
## BENEFITS

- ✓ The TE-RC Metal Detector belongs to the family of micro-sensitive bar metal detectors whose high quality and reliability are universally recognized by leading world manufacturers of industrial machinery.
- ✓ The Textile Metal Detector signals the presence of magnetic and non-magnetic metal masses, both on the exterior and in the interior of the product, and stops the machine.
- ✓ Sensitivity can be adjusted digitally depending on the size of the metal fragments which must be intercepted, and a special detection memory function also reveals the passage of several consecutive contaminants.
- ✓ Digital signal analysis allows the user to optimize detection with respect to the product's speed of passage and the metals to be intercepted, thus obtaining the best possible immunity to any external interference.
- ✓ By avoiding damage to the production line and the consequent interruptions to the manufacturing process, the TE-RC Metal Detector returns the value of the investment at the first detection event.

### TYPICAL TE-RC APPLICATION SCHEMATIC



EXAMPLE OF THE DEVICE APPLIED IN AN IRONING/  
EMBOSSING MACHINE

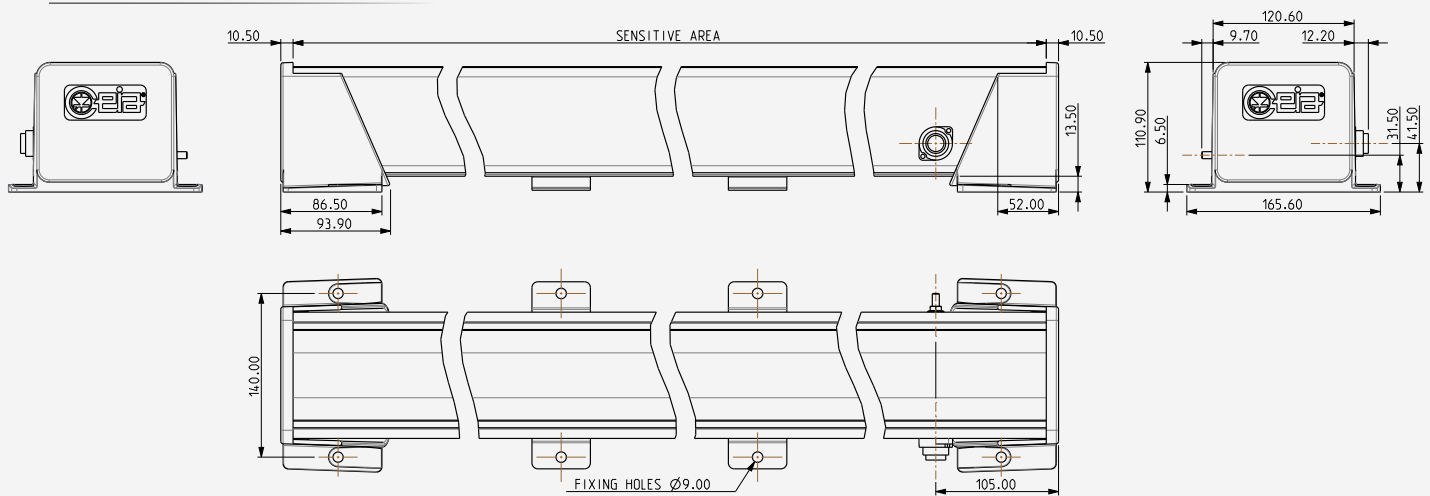


EXAMPLE OF THE DEVICE IN A STAKING MACHINE

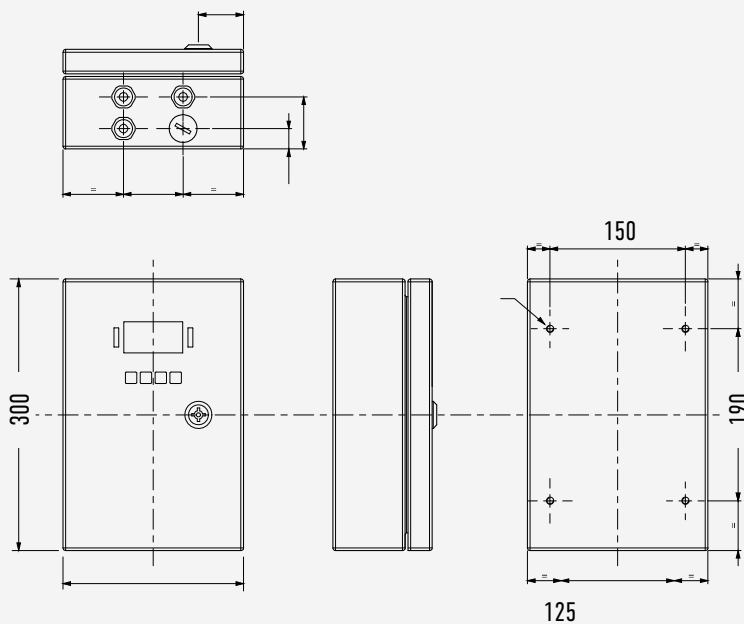


## OVERALL DIMENSIONS (mm)

### DETECTION PROBE



### REMOTE CONTROL UNIT



### GENERAL DIMENSIONS

MODELS	SENSITIVE AREA (mm)	CENTRAL FEET QUANTITY	MAXIMUM ENCUMBRANCE (mm)
TE-RC 1200	1255	—	1276
TE-RC 1300	1355	—	1376
TE-RC 1400	1455	—	1476
TE-RC 1500	1555	—	1576
TE-RC 1600	1655	—	1676
TE-RC 1700	1755	—	1776
TE-RC 1800	1855	—	1876
TE-RC 1900	1955	—	1976
TE-RC 2000	2055	—	2076
TE-RC 2100	2155	—	2176
TE-RC 2300	2355	—	2376
TE-RC 2400	2455	—	2476
TE-RC 2500	2555	—	2576
TE-RC 2700	2755	—	2776
TE-RC 2900	2955	—	2976
TE-RC 3000	3055	1	3076
TE-RC 3100	3155	1	3176
TE-RC 3200	3255	1	3276
TE-RC 3300	3355	1	3376



EASY INSTALLATION AND SETTING

UNBREAKABLE DETECTION SURFACE

COMPACT AND ROBUST CONSTRUCTION

## PROGRAMMING FEATURES

- Fully Digital Programming
- Internal data logging with data and timestamp for Quality Control
- Password protected with separate user and engineer level
- BT communication for setting and maintenance through external PC
- Autolearn function for automatic setting of the maximum sensitivity in dry and wet conditions
- Built-in function for automatic measurement of the external interferences

## SPECIFICATIONS

<b>STRUCTURES</b>	Protection degree	IP65
<b>INPUTS/ OUTPUTS</b>	Voltage	100-240 V- 1ph - 50-60 Hz
	Current	1,5 A max
<b>PROGRAMMING</b>	Type	Local: through built-in keyboard Remote: Bluetooth
	Data capabilities	Internal memory 1000 events 20 products
<b>SIGNALLING</b>	Audible	Internal buzzer
	Visual	Graphic display with bar-graph indication Bright indicators on Control Panel RED: Alarm or fault GREEN: Line present
<b>SECURITY AND SAFETY</b>	Programming access	2 access levels: Operator and Supervisor
	Galvanic isolation of line voltage	
	Low operating voltage	No danger for the operator
	In compliance with international standards of safety and radio interference	
<b>CONTROL INPUTS</b>	Connection for	Alarm reset or Encoder input
	BT interface	Incorporated
<b>OUTPUTS</b>	1 programmable relay	Alarm relay
<b>ENVIRONMENTAL DATA</b>	Temperature	Operating -10 to +50 °C Storage -25 to +60 °C
	Relative humidity	5 to 90 %, without condensation

## REMOTE CONTROL UNIT



- Separate control unit (RC)
- IP65 high degree of protection

## MODERN, RUGGED AND USER FRIENDLY PROGRAMMING

- Industrial rate design
- Rapid data entry
- Easy to read, high-contrast graphic OLED display
- Rugged, antivandalic stainless steel keyboard



## QUALITY CONTROL SAMPLES

CEIA offers samples for quality assurance testing certified



[www.maydokimloaiceia.vn](http://www.maydokimloaiceia.vn)

Hotline: 0907 686 889

Email: [hoanglongtechnology@gmail.com](mailto:hoanglongtechnology@gmail.com)

