

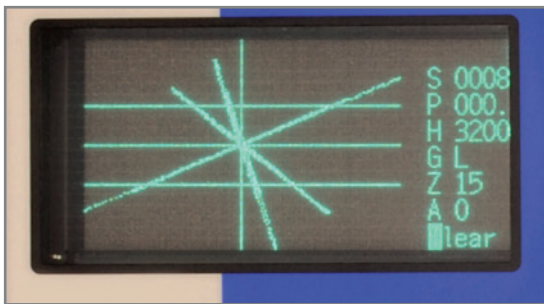


Insight Pharmaceutical Vertical Fall - Metal Detection

Designed for the Pharmaceutical Industry

Product Highlights

- Designed for inspecting tablets and capsules after the tablet press and de-duster process
- Throughput up to 3000kg per hour.
- Best in class calibrated detection levels of 0.25mmFE, 0.3mmNFE, 0.4mm St/St
- Four password protected security levels are provided for Operators, Supervisors, Engineering and Administration
- Full IQ, OQ, PQ validation documents and certification
- Design and construction compliant with 21 CFR, parts 210 and 211 and certified to NEMA 4X / IP66



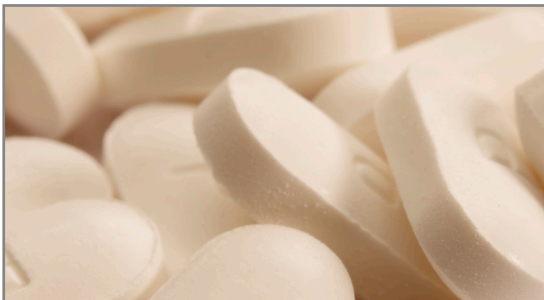
DDS Vector Display Delivers Perfect Product Set-ups

The Direct Digital Signal (DDS) vector display provides a graphic representation of the metal detection process, aids perfect product set-up and is an excellent diagnostic tool.



External USB Port for Data Reports

Each unit is supplied with an external USB port to download data for secure storage and distribution in pdf or other formats. Wired or wireless ethernet and SCADA capability are available.



Auto Learn Provides Simple and Fast Set-up

The Insight will automatically set-up and store 200 different pre-sets, calibrating for product effect and loose material as the product passes through the system.

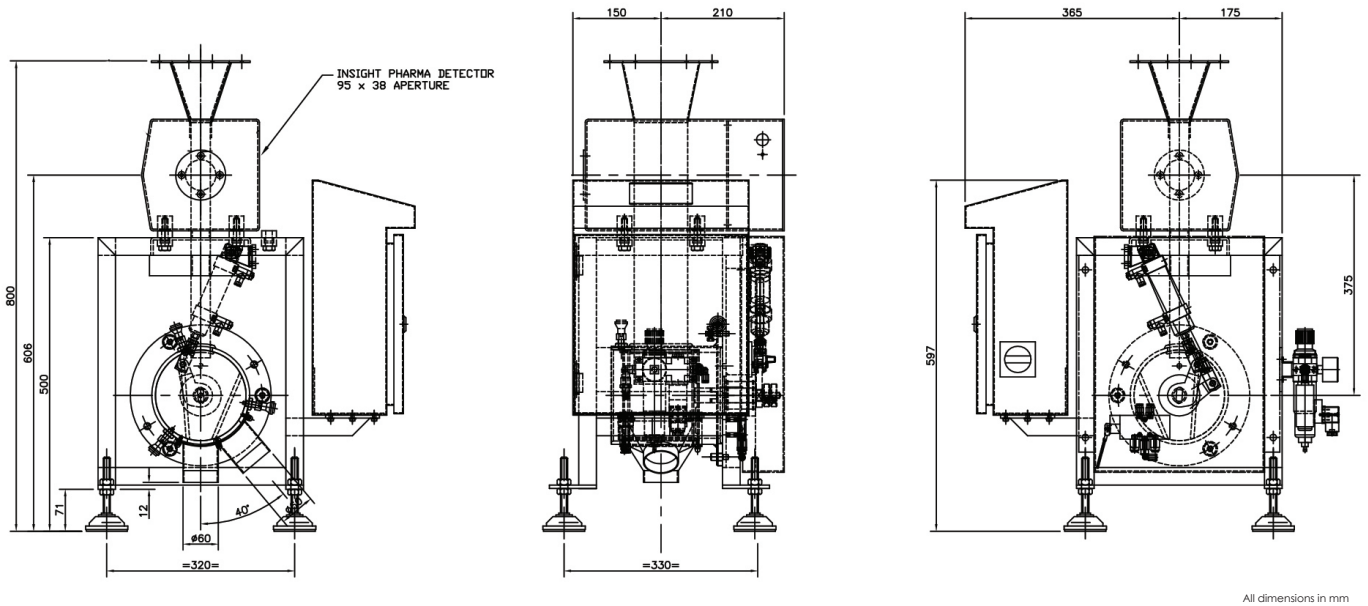


Easy to Clean and Maintain

The Insight is fully GMP compliant and is made with a mirror polished finish with no dust traps.

Technical Specification

Material of Construction	304 Polished Stainless Steel with 316 mirror polished Stainless Steel reject
Single Frequency	1MHZ
Supply Voltages	110 - 250V AC 50/60Hz
Power Consumption	20VA
Temperature Range	-10°C TO 40°C (14°F to 104°F)
Humidity	0 to 95% Relative Humidity (Non-condensing)
Environment	IP66
PVS Enabled	Yes (Sample Test)
Ethernet Capability	Yes
USB Capability	Yes



Automatic Reject Options

The Insight Pharmaceutical can be supplied as standard with either a 316 stainless lift flap or diverter reject with square or round outlet. WIP dust tight for de-duster applications are also available



An ITW Company

Loma Systems is a registered trademark of Illinois Tool Works Inc. (ITW). Other names, logos, icons and marks identifying our products and services referenced herein are trademarks of ITW and may not be used without the prior written permission of ITW. Other product and company names listed are trademarks or trade names of their respective companies. Copyright © 2016 Illinois Tool Works Inc. All rights reserved. All of the specifications shown in this document are subject to change without notice.

www.congnghehoanglong.com

Hotline: 0907 686 889 | Email: hoanglongtechnology@gmail.com

Metal Detection | Checkweighing | X-Ray Inspection

In association with

