

## Segmentable Hi-Tec polymer Deduster/Deburrer with Metal Check PFC - iSeries > PFC 1000LI - iSeries



The PFC - iSeries unit always includes polymer version of our deduster combined with metal detector. Several metal detector brands are available to suit your requirement such as LOCK, CEIA, or SAFELINE.

### Additional Description:

5 different conveying dedusting heights are available from 500 mm to 1500mm. Our unique patented metal check system "Flex Connect" warranty a completely closed "Dust Tight" transfer from the deduster to drum without using tri-clamp solution. A clever system allows to introduce test samples inside the metal check head without any product contact between operator and product. The control of the metal check parameters is monitored through an integration of original software of the metal check supplier inside the central machine HMI. Thanks to a sophisticated engineering, this "Dust-Tight" base unit can be easily transformed into an Hi-containment and washable execution.

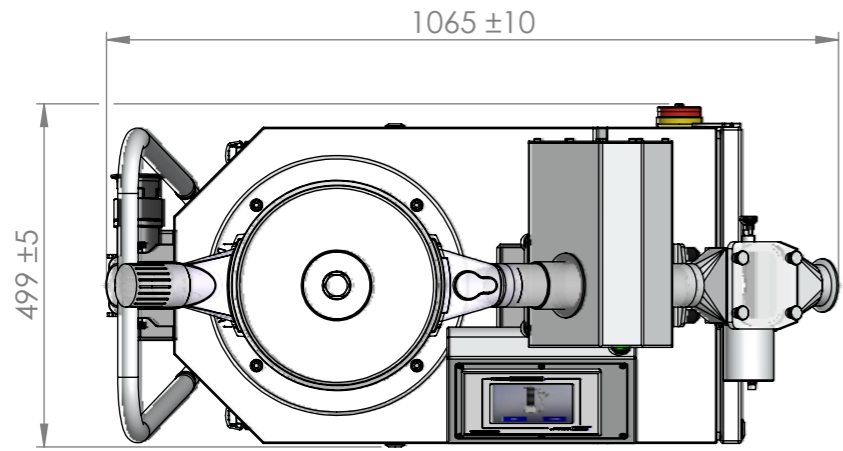
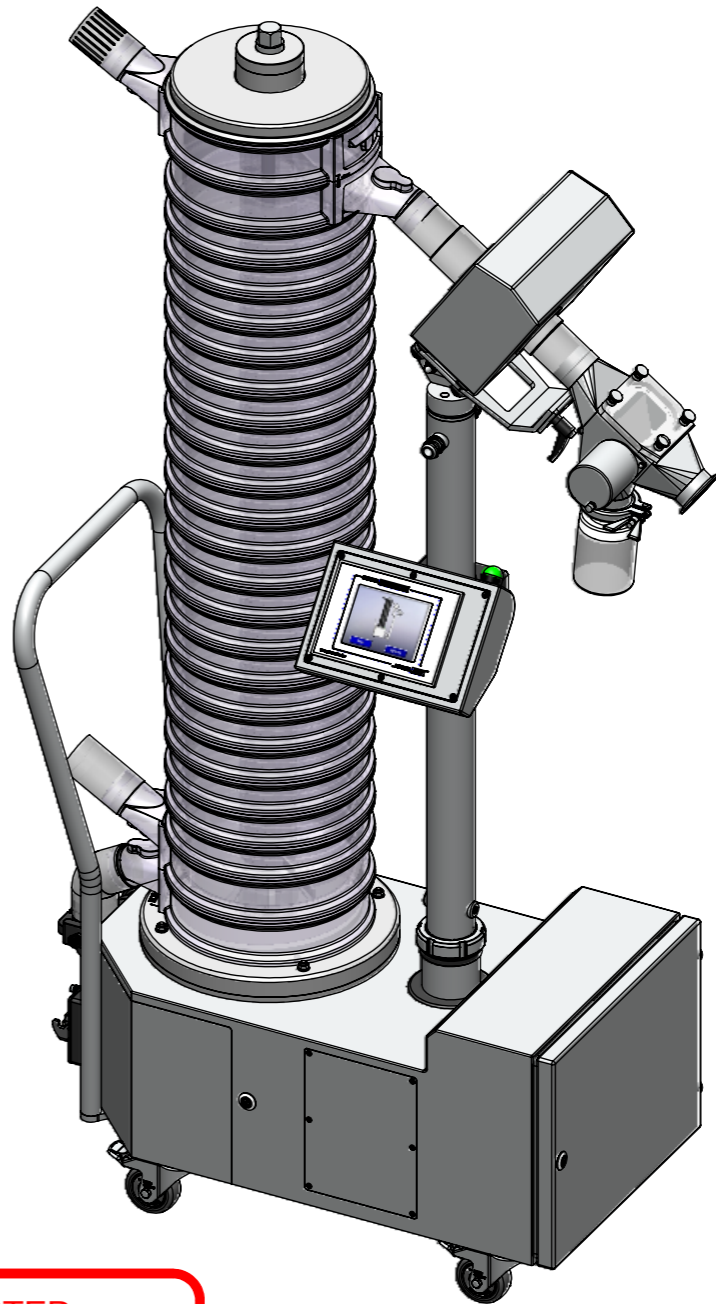
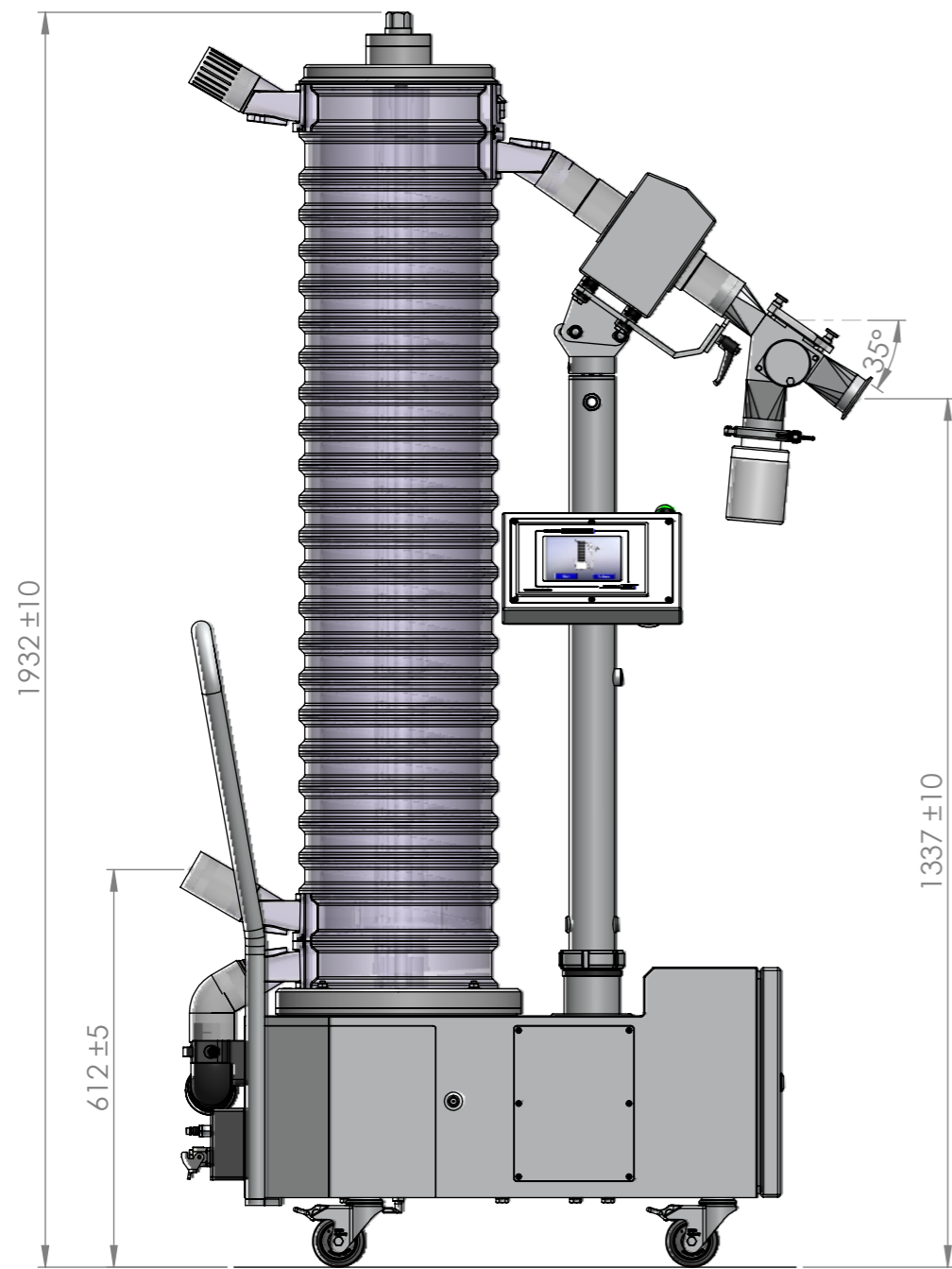
### Product Information

Title	PFC 1000LI - iSeries
Assembly Number	400 615 00

### Product features

<b>Products to process</b>	tablets / effervescents
<b>Dedusting technology</b>	Vibrating Ascending Spiral
Air jet	No
Deburring option	No
Conveyor material	FDA Hi-Tec polymer
<b>Capacity / Speed</b>	Not available
Micro tablets Diam 2,5 mm	0
Small Tablets Diam. 5 mm	3000000
Medium Tablets Diam. 13 mm	500000
Effervescent Tablets Diam. 20 mm	150000
Small capsules T4	750000
Large capsules T0	300000
<b>Interfacing / Connectivity</b>	
Interlacing type	Low Line
Inlet Height	610.0
Elevation Height	Not available
Outlet Height	1337.0
Total Height	1932.0
<b>Accessories</b>	
Metal check	LOCK
Diverter	No
Empty capsule eliminator	No
Tester	No
<b>Regulations</b>	
Operator Exposure Level	Standard
Noise level	Not available
GMP compliance	Yes

CE compliance	Yes
<b>Cleaning and Dismantling</b>	
Manual cleaning	Yes
Automatic cleaning	No



**ACCEPTED**

NAME : .....

DATE : .....

SIGNATURE :

**Choose your power supply**

110V - 230V

50Hz - 60Hz

PRJ 400 615 00 - PFC 1000 LI C

<b>PHARMA TECHNOLOGY</b> <b>PHARMA FLEX</b>		REMARK			WEIGHT (kg) <b>267.921</b>	
ISO		CREATION DATE <b>27/04/15</b>	DWG <b>FCH</b>	CHK <b>DHU</b>	APP <b>PAD</b>	
FORMAT <b>A3</b>	ISSUE <b>00</b>	APPROVAL DATE <b>27/04/15</b>	PROJECT N° <b>PRJ 400 615 00</b>		REV <b>—</b>	
SCALE <b>1:11</b>	SHEET <b>1/1</b>	DESCRIPTION <b>PFC 1000 LI C</b>				
RUE DE LA MAITRISE 11 - B1400 NIVELLES - BELGIUM - WEBSITE: www.pharmatec.be						