

Segmentable Hi-Tec polymer Deduster/Deburrer with Metal Check PFC - iSeries > PFC 500LI - iSeries



The PFC - iSeries unit always includes polymer version of our deduster combined with metal detector. Several metal detector brands are available to suit your requirement such as LOCK, CEIA, or SAFELINE.

Additional Description:

5 different conveying dedusting heights are available from 500 mm to 1500mm. Our unique patented metal check system “Flex Connect” warranty a completely closed “Dust Tight” transfer from the deduster to drum without using tri-clamp solution. A clever system allows to introduce test samples inside the metal check head without any product contact between operator and product. The control of the metal check parameters is monitored through an integration of original software of the metal check supplier inside the central machine HMI. Thanks to a sophisticated engineering, this “Dust-Tight” base unit can be easily transformed into an Hi-containment and washable execution.

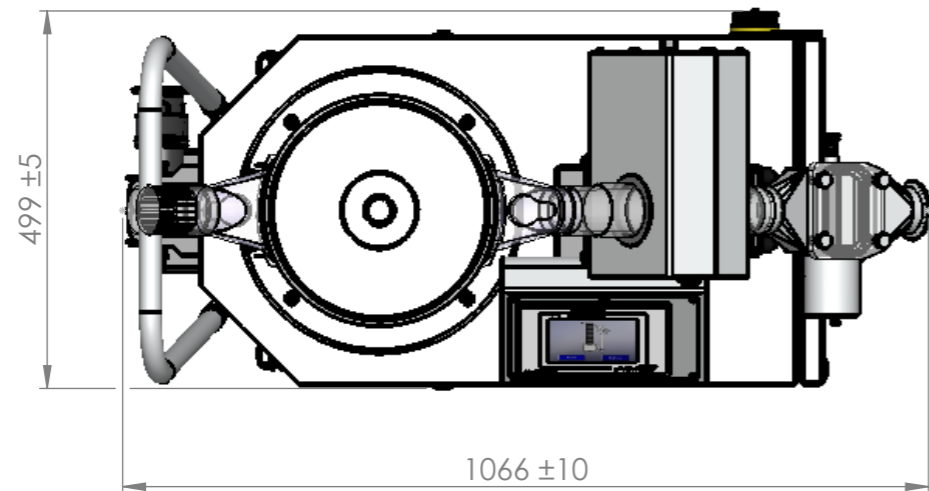
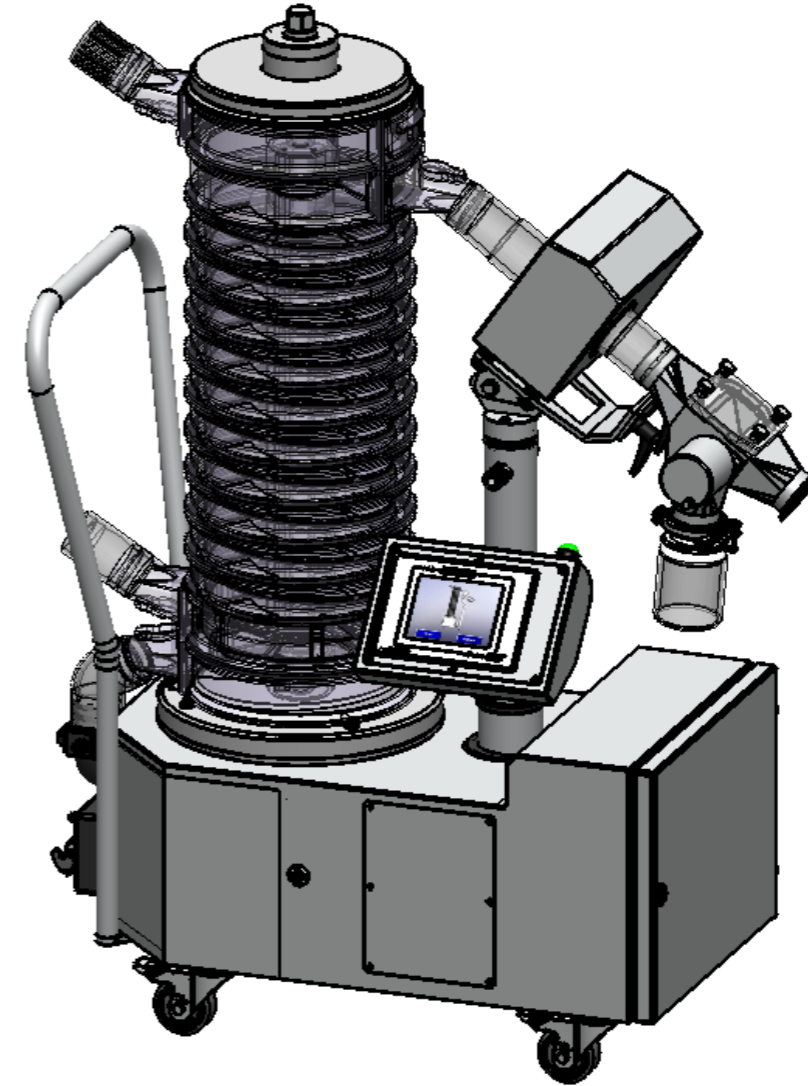
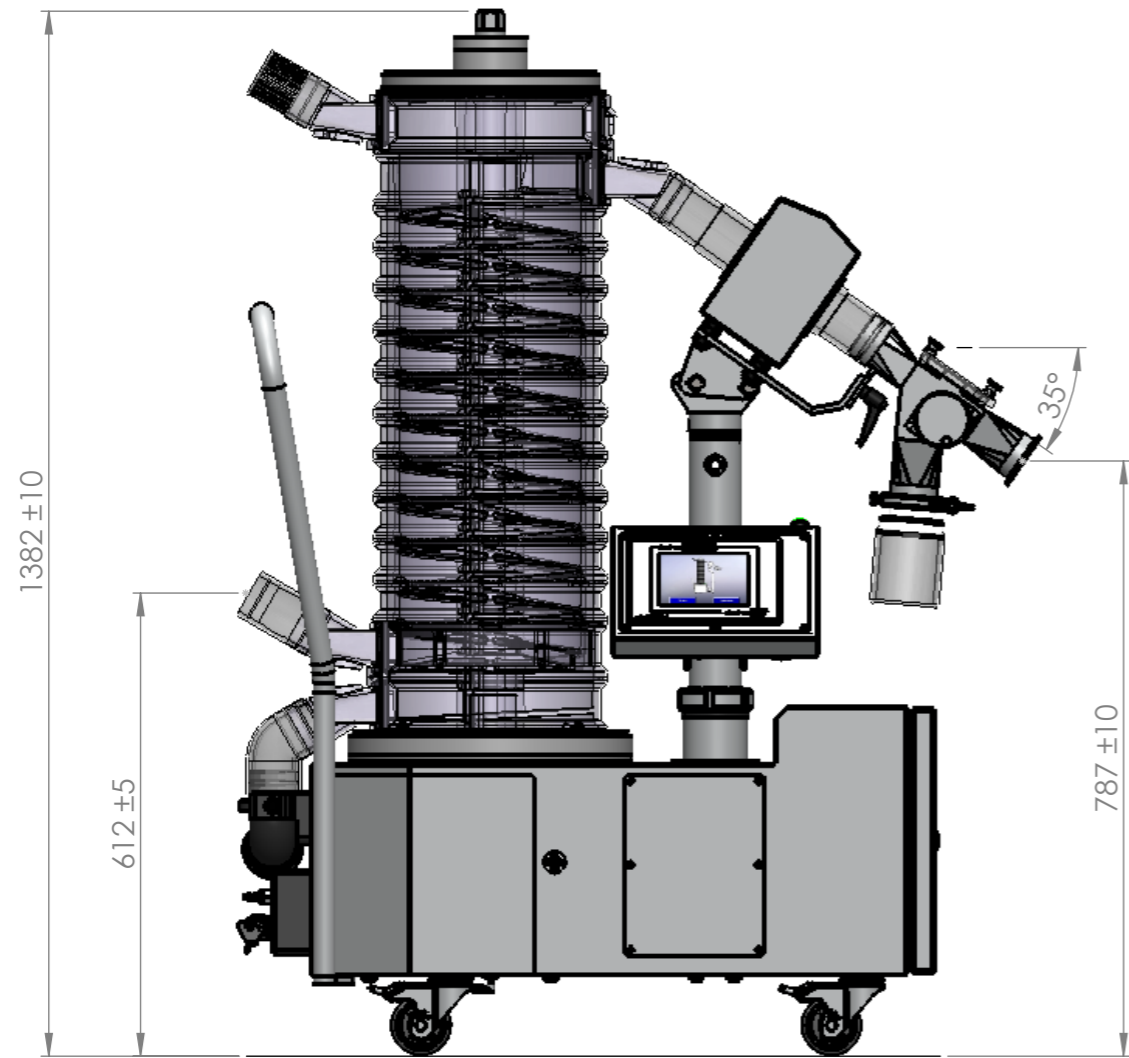
Product Information

Title	PFC 500LI - iSeries
Assembly Number	400 613 00

Product features

Products to process	tablets / effervescents
Dedusting technology	Vibrating Ascending Spiral
Air jet	No
Deburring option	No
Conveyor material	FDA Hi-Tec polymer
Capacity / Speed	Not available
Micro tablets Diam 2,5 mm	0
Small Tablets Diam. 5 mm	3000000
Medium Tablets Diam. 13 mm	500000
Effervescent Tablets Diam. 20 mm	150000
Small capsules T4	750000
Large capsules T0	300000
Interfacing / Connectivity	
Interlacing type	Low Line
Inlet Height	610.0
Elevation Height	Not available
Outlet Height	787.0
Total Height	1382.0
Accessories	
Metal check	LOCK
Diverter	No
Empty capsule eliminator	No
Tester	No
Regulations	
Operator Exposure Level	Standard
Noise level	Not available
GMP compliance	Yes

CE compliance	Yes
Cleaning and Dismantling	
Manual cleaning	Yes
Automatic cleaning	No



ACCEPTED

NAME :

DATE :

SIGNATURE :

Choose your
power supply

110V - 230V

50Hz - 60Hz

PRJ 400 613 00 - PFC 500 LI C

IMA TECHNOLOGY PHARMA FLEX THIS DRAWING IS THE PROPERTY OF PHARMA TECHNOLOGY & PHARMA FLEX. DELIVERY HEREOF IS MADE UPON THE UNDERSTANDING THAT IT WILL NOT BE COPIED IN WHOLE OR IN PART. THAT IT WILL BE RETURNED UPON REQUEST AND THAT THE INFORMATION AND DATA HEREIN CONTAINED WILL BE KEPT CONFIDENTIAL	REMARK				WEIGHT (kg) 256.091	
	ISO	CREATION DATE 23/04/15	DWG FCH	CHK DHU	APP PAD	
	FORMAT A3	ISSUE 00	APPROVAL DATE 23/04/15	PROJECT N° PRJ 400 613 00		REV _
	SCALE 1:10	SHEET 1/1	DESCRIPTION PFC 500 LI C			
RUE DE LA MAITRISE 11 - B1400 NIVELLES - BELGIUM - WEBSITE: www.pharmatec.be						