

Segmentable Hi-Tec polymer Deduster/Deburrer PF - iSeries > PF 1000 - iSeries



Like the original PharmaFlex range of Dedusters, each of the new PF - iSeries Deduster's spiral segments can be removed individually for easier cleaning and fast changeover.

Additional Description:

This modular system also allows adjustable height gain; additional segments can be added in increments of 5 to increase the machine's height and extend its shaft. A self-regulating vibratory base with accelerometer, making it unnecessary to adjust gaps of springs on the unit's base when changing the deduster's tower height, or when transitioning from one product to another. This unit allows to dedust tablets from 4 mm to 25 mm at a Hi-Speed. 5 different conveying heights are available from 500 mm to 1500mm. Enlarged circumferential dust extraction channel and central air jet on the tablets improve dedusting efficiency. A self-regulating vibrating base with accelerometer, making it unnecessary to adjust gaps of springs on the unit's base when changing the deduster's tower height, or when transitioning from one product to another. Clear spiral segments for the complete tower, providing direct sightlines to tablets throughout the process. Optional deburring modules are available. This "dust tight" technology allows a higher dedusting efficiency thanks to an innovative dust extraction in conjunction with an air jet system. Frame pre-equipped for:

- Diverter
- Sampling
- Test samplers inserters
- Auto-check for metal checker
- Hardness and weighing IPC tester
- High containment
- Washing In Place / Washing Off Line

Product Information

Title	PF 1000 - iSeries
Assembly Number	400 732 00

Product features

Products to process	tablets / effervescent
Dedusting technology	Vibrating Ascending Spiral
Air jet	No
Deburring option	No
Conveyor material	FDA Hi-Tec polymer
Capacity / Speed	
Micro tablets Diam 2,5 mm	N/A
Small Tablets Diam. 5 mm	3000000
Medium Tablets Diam. 13 mm	400000
Effervescent Tablets Diam. 20 mm	125000
Small capsules T4	N/A
Large capsules T0	N/A

Interfacing / Connectivity

Interlacing type	Standard
Inlet Height	736 mm
Elevation Height	1100 mm
Outlet Height	1701 mm
Total Height	1945 mm

Accessories

Metal check	No Metal Check
Intrinsic sensibility	Not available
Diverter	No
Empty capsule eliminator	No
Tester	No

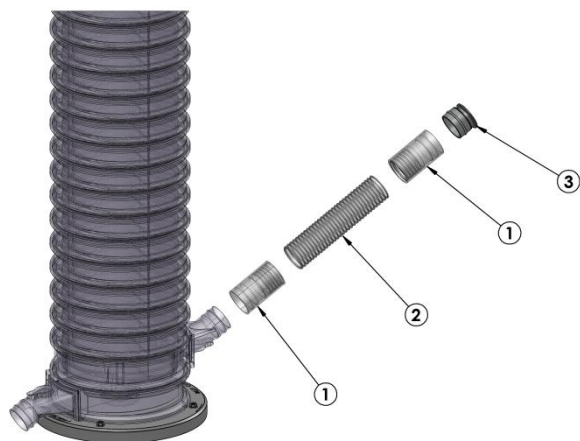
Regulations

Operator Exposure Level	Dust-Tight "C"
Noise level in dB(A)	<65
GMP compliance	Yes
CE compliance	Yes

Cleaning and Dismantling

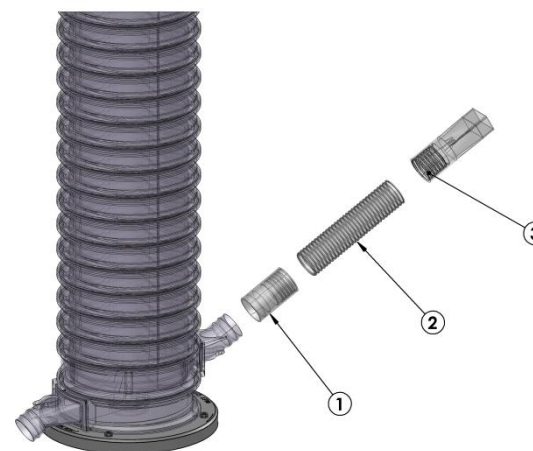
Manual cleaning	Yes
Automatic cleaning	No
Maximum cleaning temperature	85°C

Exemple Connection DIN 32676 DN 50 to Deduster

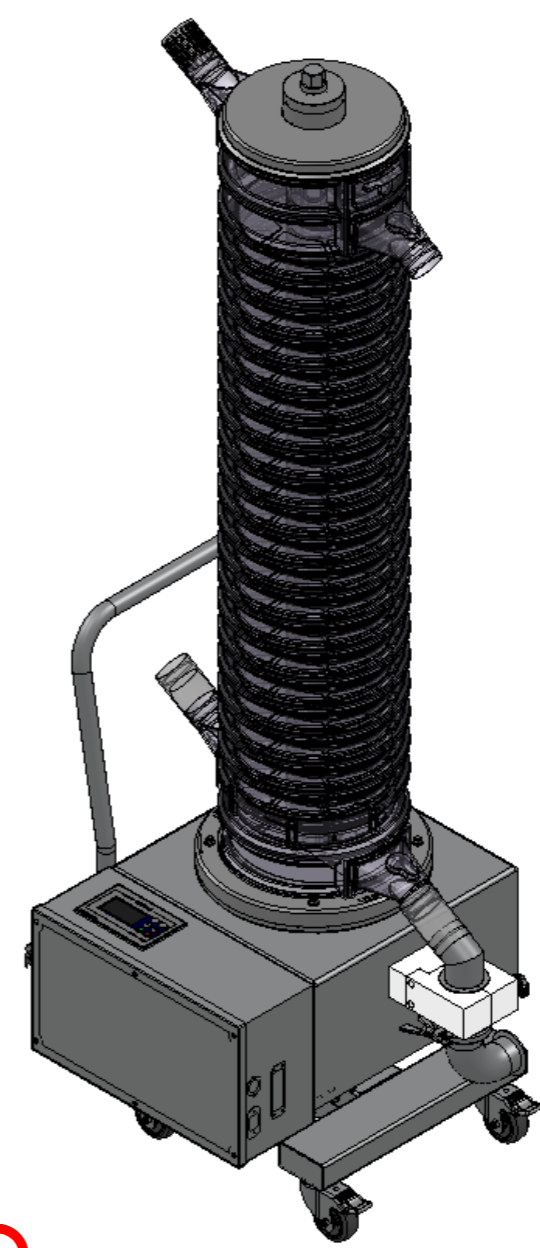
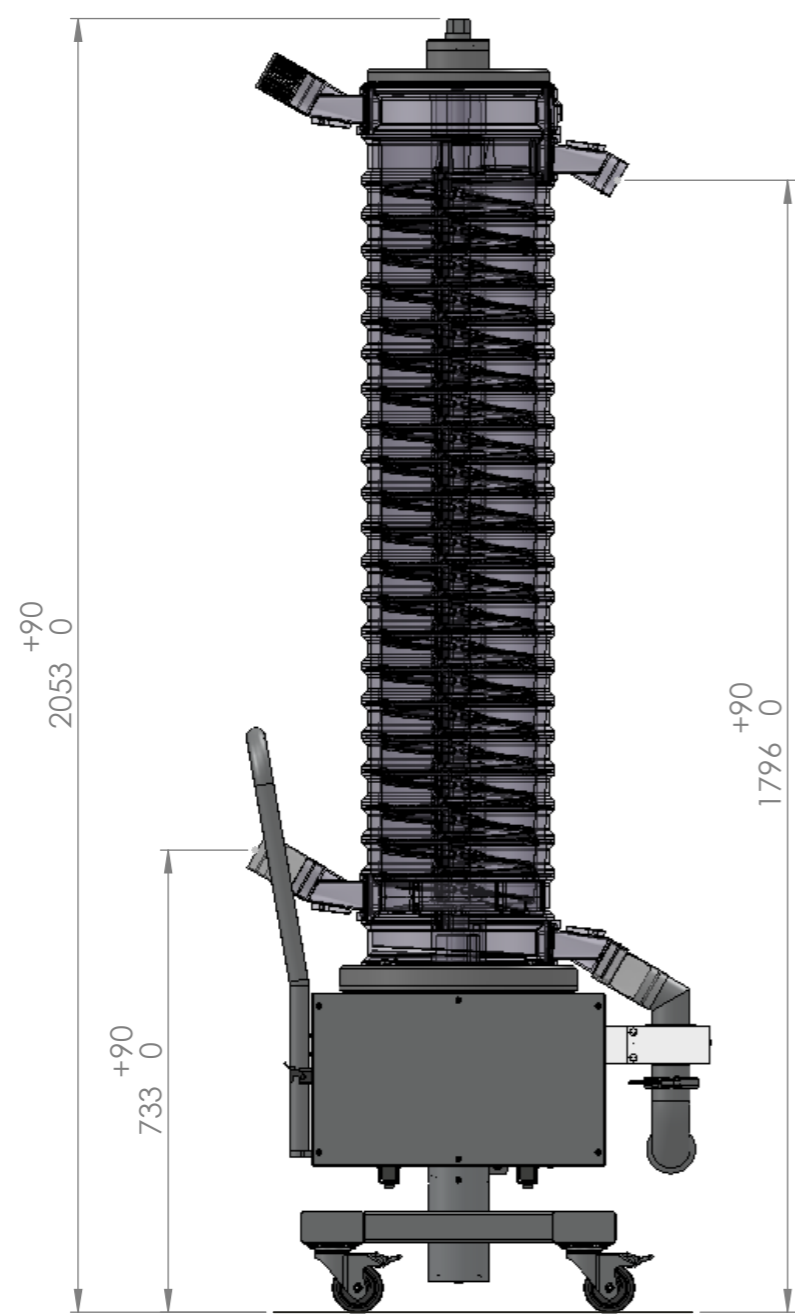


3	103 539 00	Flex inlet adaptator	1
2	501 356 00	Flex Pipe Ø50	1
1	102 927 00	Silicone Adapter for Flex Pipe	2
ITEM	PART N°	DESCRIPTION	QTY.
NOMENCLATURE - (Revision of parts is not mentioned)			

Exemple Connection Square Outlet to Deduster



3	102 928 00	Press connection	1
2	501 356 00	Flex Pipe Ø50	1
1	102 927 00	Silicone Adapter for Flex Pipe	1
ITEM	PART N°	DESCRIPTION	QTY.
NOMENCLATURE - (Revision of parts is not mentioned)			



ACCEPTED

NAME :

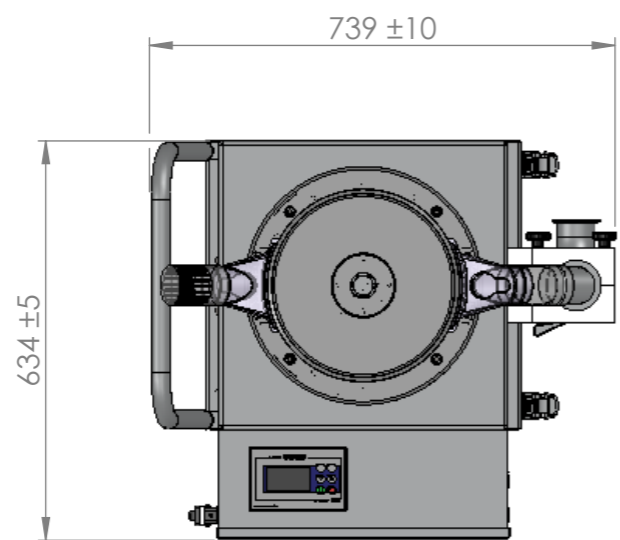
DATE :

SIGNATURE :

Choose your power supply

110V - 230V

50Hz - 60Hz



PRJ 400 732 00 - PF 1000

PHARMA TECHNOLOGY PHARMA FLEX <small>THIS DRAWING IS THE PROPERTY OF PHARMA TECHNOLOGY & PHARMAFLEX. DELIVERY HEREOF IS MADE UPON THE UNDERSTANDING THAT IT WILL NOT BE COPIED IN WHOLE OR IN PART. THAT IT WILL BE RETURNED UPON REQUEST AND THAT THE INFORMATION AND DATA HEREIN CONTAINED WILL BE KEPT CONFIDENTIAL</small>	REMARK				WEIGHT (kg) N/A	
	ISO	CREATION DATE 08/06/15	DWG FCH	CHK DHU	APP PAD	
	FORMAT A3	ISSUE 00	APPROVAL DATE 08/06/15	PROJECT N° PRJ 400 732 00		REV —
	SCALE 1:12	SHEET 1/1	DESCRIPTION PF 1000			
RUE DE LA MAITRISE 11 - B1400 NIVELLES - BELGIUM - WEBSITE: www.pharmatec.be						