

## Vertical brush Deduster / Polisher > PTGV 1200LI



The PTGV deduster elevate and polish capsules through a vertical endless polyamid / nylon brush.

### Additional Description:

The construction of this special frame saves space into the production room and reduces the retention areas. In addition, the circuit of capsules is totally closed between the inlet into the deduster and the outlet. Optional metal detector and ECE feature, short for Empty Capsules Eliminator, guarantees 100% production without empty capsules

### Product Information

Title	PTGV 1200LI
Assembly Number	400 165 00

### Product features

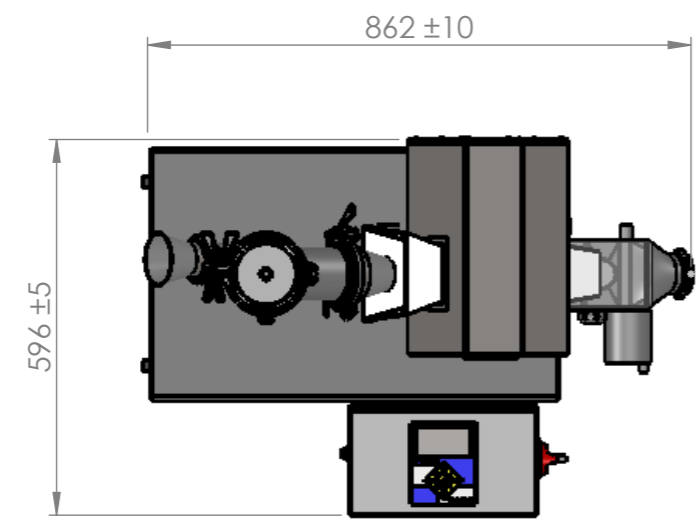
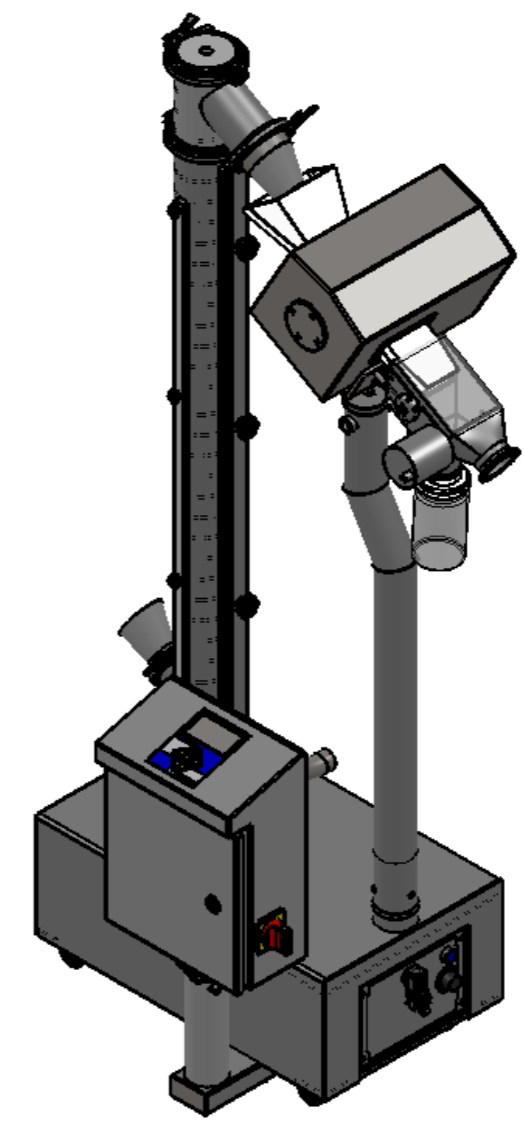
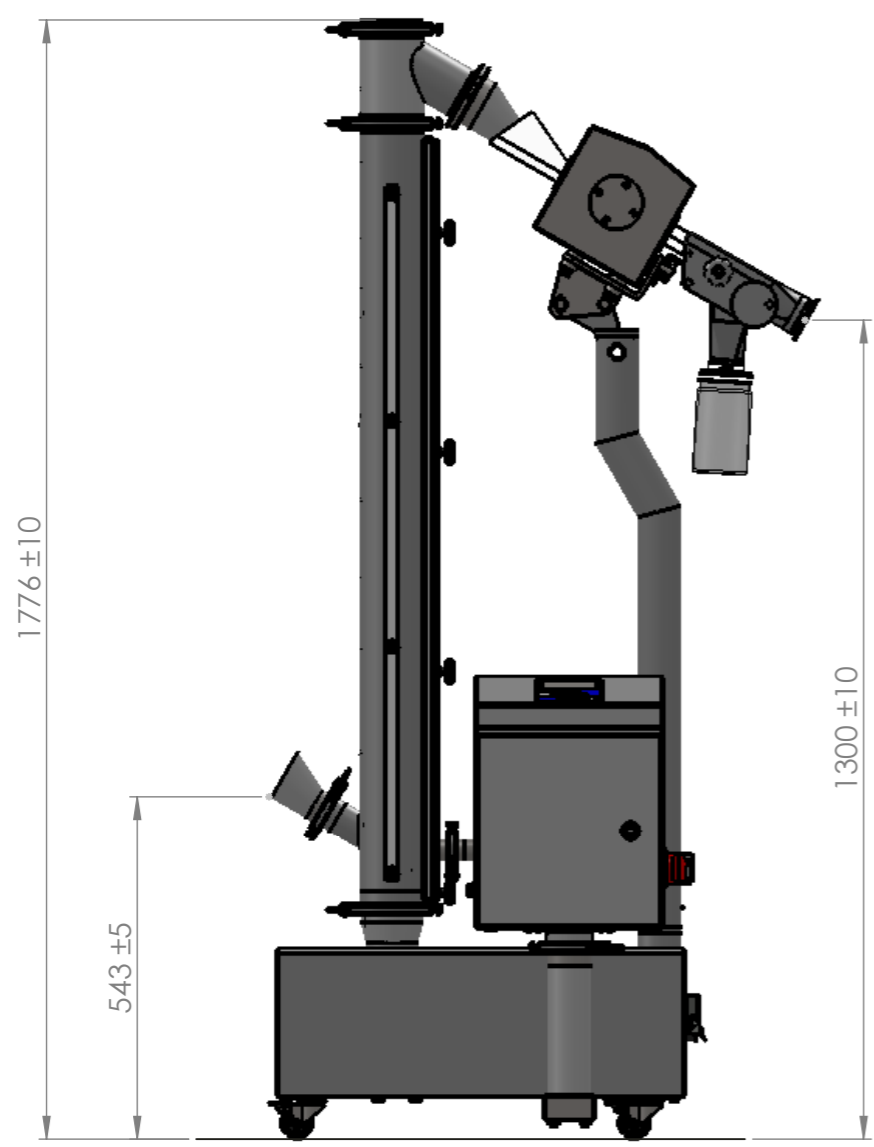
<b>Products to process</b>	capsule
<b>Dedusting technology</b>	Brush
Air jet	No
Deburring option	No
Conveyor material	Brush Polisher
<b>Capacity / Speed</b>	
Micro tablets Diam 2,5 mm	N/A
Small Tablets Diam. 5 mm	N/A
Medium Tablets Diam. 13 mm	N/A
Effervescent Tablets Diam. 20 mm	N/A
Small capsules T4	300000
Large capsules T0	250000
<b>Interfacing / Connectivity</b>	
Interlacing type	Low Line
Inlet Height	544 mm
Elevation Height	1132 mm
Outlet Height	1300 mm
Total Height	1776 mm
<b>Accessories</b>	
Metal check	LOCK Insight - Head aperture : 95mm*38mm
Intrinsic sensibility	SS 316L : 0,50mm Ferro : 0,30mm Non ferro : 0,35mm
Diverter	No
Empty capsule eliminator	No
Tester	No
<b>Regulations</b>	
Operator Exposure Level	Dust-Tight "C"
Noise level in dB(A)	<65
GMP compliance	Yes
CE compliance	Yes

**Cleaning and Dismantling**

Manual cleaning	Yes
Automatic cleaning	No
Maximum cleaning temperature	85°C

1 2 3 4 5 6 7 8

A  
B  
C  
D  
E  
F



**ACCEPTED**

NAME : .....

DATE : .....

SIGNATURE :

**Choose your power supply**

110V - 230V

50Hz - 60Hz

PRJ 400 165 00 - PTGV 1200 LI

<b>PHARMA TECHNOLOGY</b> <b>PHARMA FLEX</b>  THIS DRAWING IS THE PROPERTY OF PHARMA TECHNOLOGY & PHARMA FLEX. DELIVERY HEREOF IS MADE UPON THE UNDERSTANDING THAT IT WILL NOT BE COPIED IN WHOLE OR IN PART. THAT IT WILL BE RETURNED UPON REQUEST AND THAT THE INFORMATION AND DATA HEREIN CONTAINED WILL BE KEPT CONFIDENTIAL	REMARK				WEIGHT (kg)
	ISO	CREATION DATE	DWG	CHK	N/A
	FORMAT	ISSUE	APPROVAL DATE	PROJECT N°	APP
	SCALE	SHEET	DESCRIPTION	REV	
			<b>PRJ 400 165 00</b>		
			<b>PTGV 1200 LI</b>		
RUE DE LA MAITRISE 11 - B1400 NIVELLES - BELGIUM - WEBSITE: www.pharmatec.be					

1 2 3 4 5 6 7 8