

Vertical brush Deduster / Polisher > PTGV 800LI



The PTGV deduster elevate and polish capsules through a vertical endless polyamid / nylon brush.

Additional Description:

The construction of this special frame saves space into the production room and reduces the retention areas. In addition, the circuit of capsules is totally closed between the inlet into the deduster and the outlet. Optional metal detector and ECE feature, short for Empty Capsules Eliminator, guarantees 100% production without empty capsules

Product Information

Title	PTGV 800LI
Assembly Number	400 161 00

Product features

Products to process	capsule
Dedusting technology	Brush
Air jet	No
Deburring option	No
Conveyor material	Brush Polisher
Capacity / Speed	
Micro tablets Diam 2,5 mm	N/A
Small Tablets Diam. 5 mm	N/A
Medium Tablets Diam. 13 mm	N/A
Effervescent Tablets Diam. 20 mm	N/A
Small capsules T4	300000
Large capsules T0	250000
Interfacing / Connectivity	
Interlacing type	Low Line
Inlet Height	544 mm
Elevation Height	680 mm
Outlet Height	849 mm
Total Height	1325 mm
Accessories	
Metal check	LOCK Insight - Head aperture : 95mm*38mm
Intrinsic sensibility	SS 316L : 0,50mm Ferro : 0,30mm Non ferro : 0,35mm
Diverter	No
Empty capsule eliminator	No
Tester	No
Regulations	
Operator Exposure Level	Dust-Tight "C"
Noise level in dB(A)	<65
GMP compliance	Yes
CE compliance	Yes

Cleaning and Dismantling

Manual cleaning

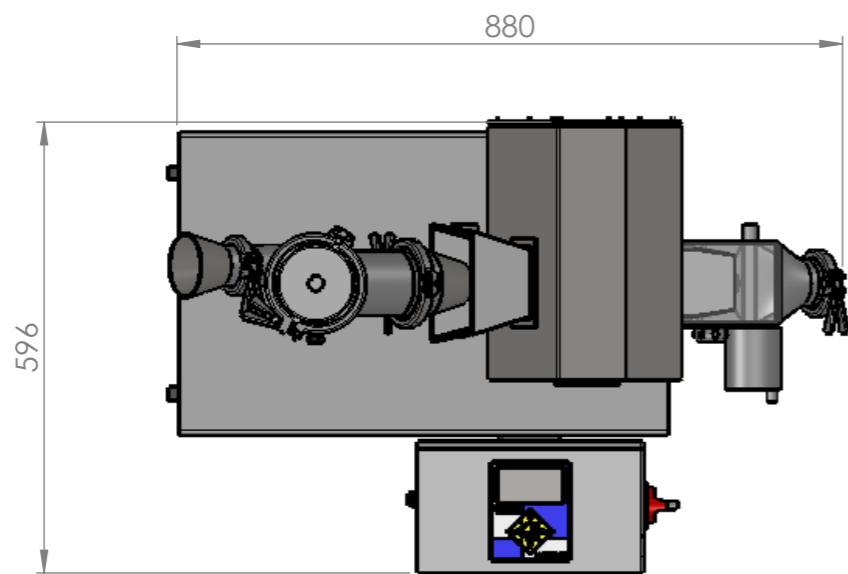
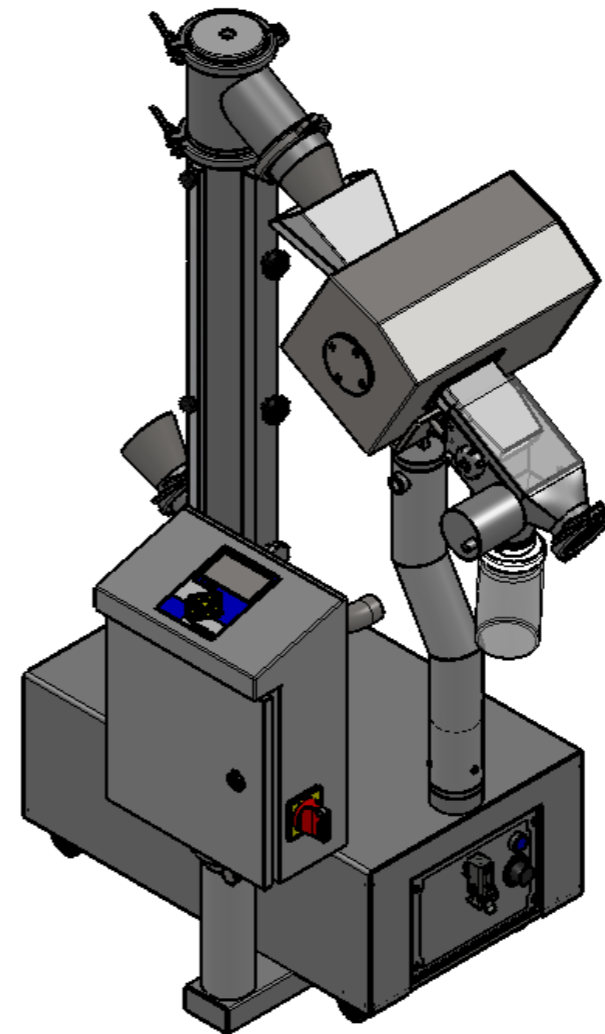
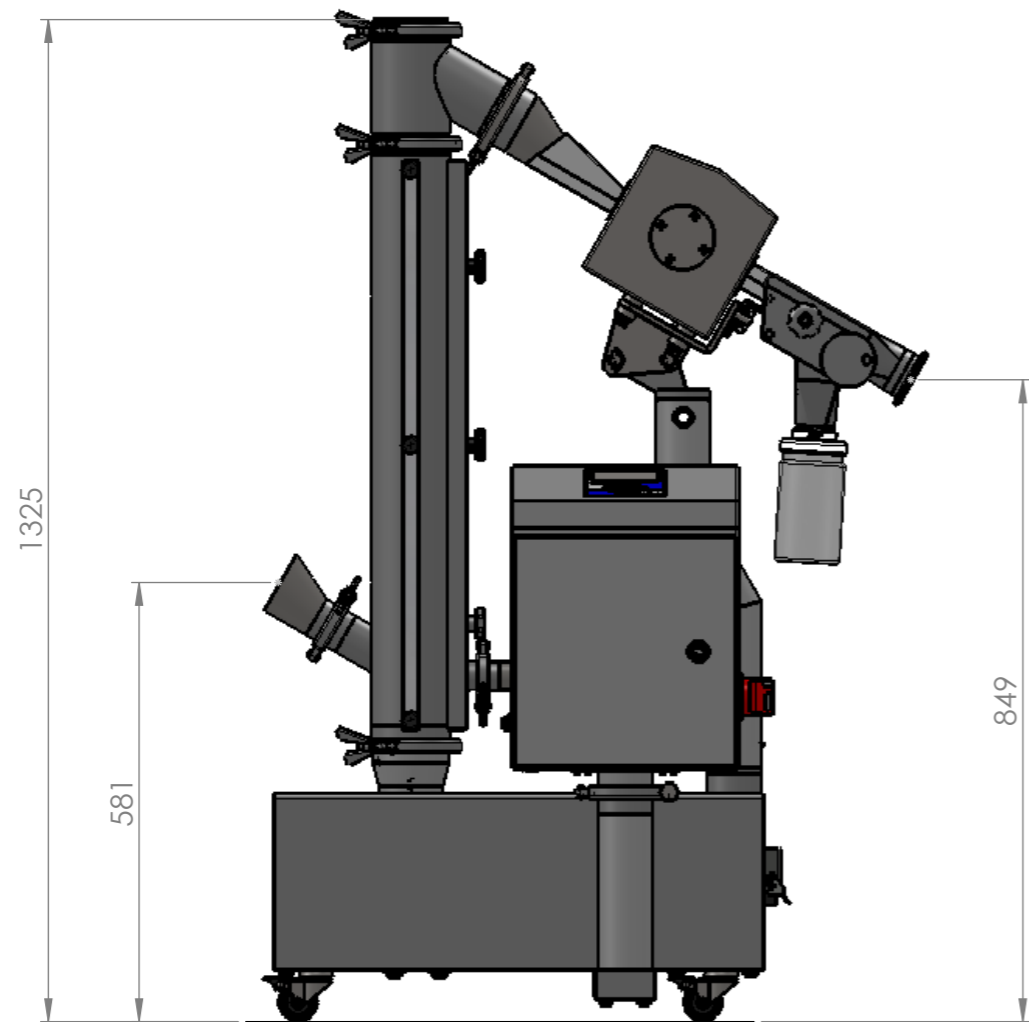
Yes

Automatic cleaning

No

Maximum cleaning temperature

85°C



ACCEPTED

NAME :

DATE :

SIGNATURE :

Choose your power supply

110V - 230V

50Hz - 60Hz

PRJ 400 161 00 - PTGV 800 LI

PHARMA TECHNOLOGY PHARMA FLEX THIS DRAWING IS THE PROPERTY OF PHARMA TECHNOLOGY & PHARMA FLEX. DELIVERY HEREOF IS MADE UPON THE UNDERSTANDING THAT IT WILL NOT BE COPIED IN WHOLE OR IN PART. THAT IT WILL BE RETURNED UPON REQUEST AND THAT THE INFORMATION AND DATA HEREIN CONTAINED WILL BE KEPT CONFIDENTIAL	REMARK				WEIGHT (kg) N/A	
	ISO	CREATION DATE 28/03/13	DWG HUL	CHK ERD	APP PAD	
	FORMAT A3	ISSUE 00	APPROVAL DATE 28/03/13	PROJECT N° PRJ 400 161 00		REV _
	SCALE 1:10	SHEET 1/1	DESCRIPTION PTGV 800 LI			
RUE DE LA MAITRISE 11 - B1400 NIVELLES - BELGIUM - WEBSITE: www.pharmatec.be						