

Vertical brush Deduster / Polisher > PTGV 1000

The PTGV deduster elevate and polish capsules through a vertical endless polyamid / nylon brush.

Additional Description:

The construction of this special frame saves space into the production room and reduces the retention areas. In addition, the circuit of capsules is totally closed between the inlet into the deduster and the outlet. Optional metal detector and ECE feature, short for Empty Capsules Eliminator, guarantees 100% production without empty capsules

Product Information

Title	PTGV 1000
Assembly Number	400 274 00

Product features

Products to process	capsule
Dedusting technology	Brush
Air jet	No
Deburring option	No
Conveyor material	Brush Polisher
Capacity / Speed	
Micro tablets Diam 2,5 mm	N/A
Small Tablets Diam. 5 mm	N/A
Medium Tablets Diam. 13 mm	N/A
Effervescent Tablets Diam. 20 mm	N/A
Small capsules T4	300000
Large capsules T0	250000
Interfacing / Connectivity	
Interlacing type	Low Line
Inlet Height	544 mm
Elevation Height	882 mm
Outlet Height	1321 mm
Total Height	1526 mm
Accessories	
Metal check	No Metal Check
Intrinsic sensibility	Not available
Diverter	No
Empty capsule eliminator	No
Tester	No
Regulations	
Operator Exposure Level	Dust-Tight "C"
Noise level in dB(A)	<65
GMP compliance	Yes
CE compliance	Yes



Cleaning and Dismantling

Manual cleaning

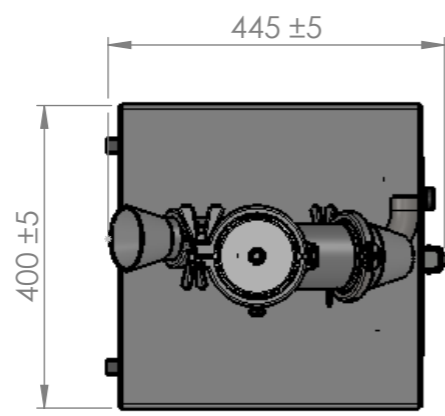
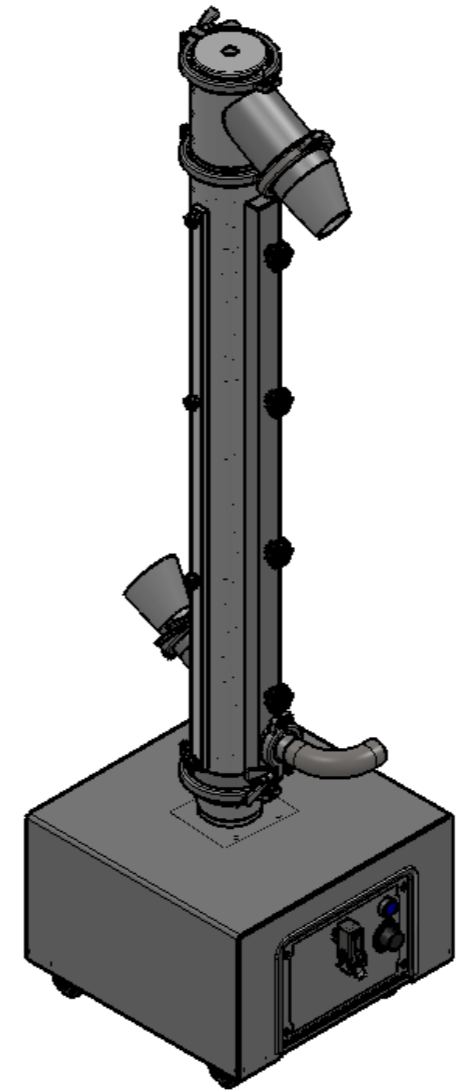
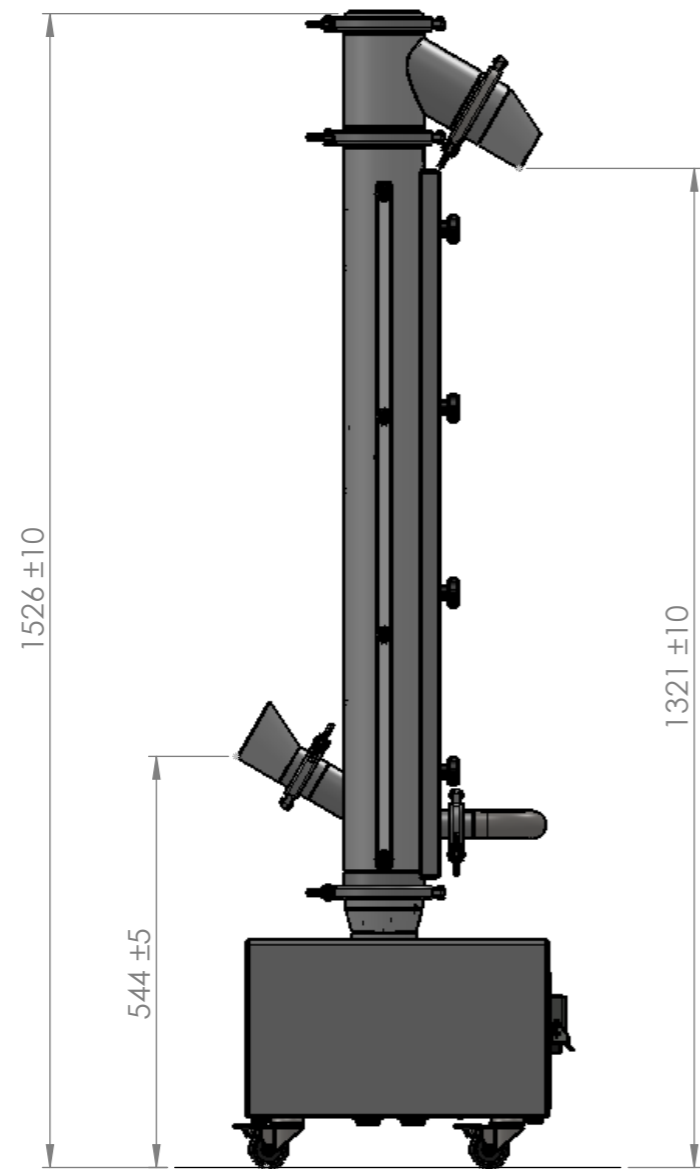
Yes

Automatic cleaning

No

Maximum cleaning temperature

85°C



ACCEPTED

NAME :

DATE :

SIGNATURE :

Choose your power supply

110V - 230V

50Hz - 60Hz

PRJ 400 274 00 - PTGV 1000

PHARMA TECHNOLOGY PHARMA FLEX <small>THIS DRAWING IS THE PROPERTY OF PHARMA TECHNOLOGY & PHARMA FLEX. DELIVERY HEREOF IS MADE UPON THE UNDERSTANDING THAT IT WILL NOT BE COPIED IN WHOLE OR IN PART. THAT IT WILL BE RETURNED UPON REQUEST AND THAT THE INFORMATION AND DATA HEREIN CONTAINED WILL BE KEPT CONFIDENTIAL</small>	REMARK				WEIGHT (kg) 50.216	
	ISO	CREATION DATE 23/08/13	DWG DHU	CHK ERD	APP PAD	
	FORMAT A3	ISSUE 00	APPROVAL DATE 23/08/13	PROJECT N° PRJ 400 274 00		REV _
	SCALE 1:10	SHEET 1/1	DESCRIPTION PTGV 1000			
RUE DE LA MAITRISE 11 - B1400 NIVELLES - BELGIUM - WEBSITE: www.pharmatec.be						