

piFLOW[®]p



- ▶ Compact and modular design.
- ▶ Low building height.
- ▶ Rubber and plastic materials in conveyor are antistatic.
- ▶ COAX[®] technology.
- ▶ Energy efficient and low noise level.
- ▶ Easy to maintain and clean.
- ▶ The conveyor is designed according to USDA guidelines.
- ▶ Designed mainly for industries handling food, chemical and pharmaceutical products.
- ▶ Steel quality ASTM 316L.
- ▶ Solution that contributes to dust-free conveying.
- ▶ The filter has filtration 0.5 µm

- ▶ Automatic filter cleaning.
- ▶ Fully pneumatic.
- ▶ All material in direct contact with the conveyed product is in compliance with FDA and EC No. 1935/2004, EC No. 10/2011.

Technical data

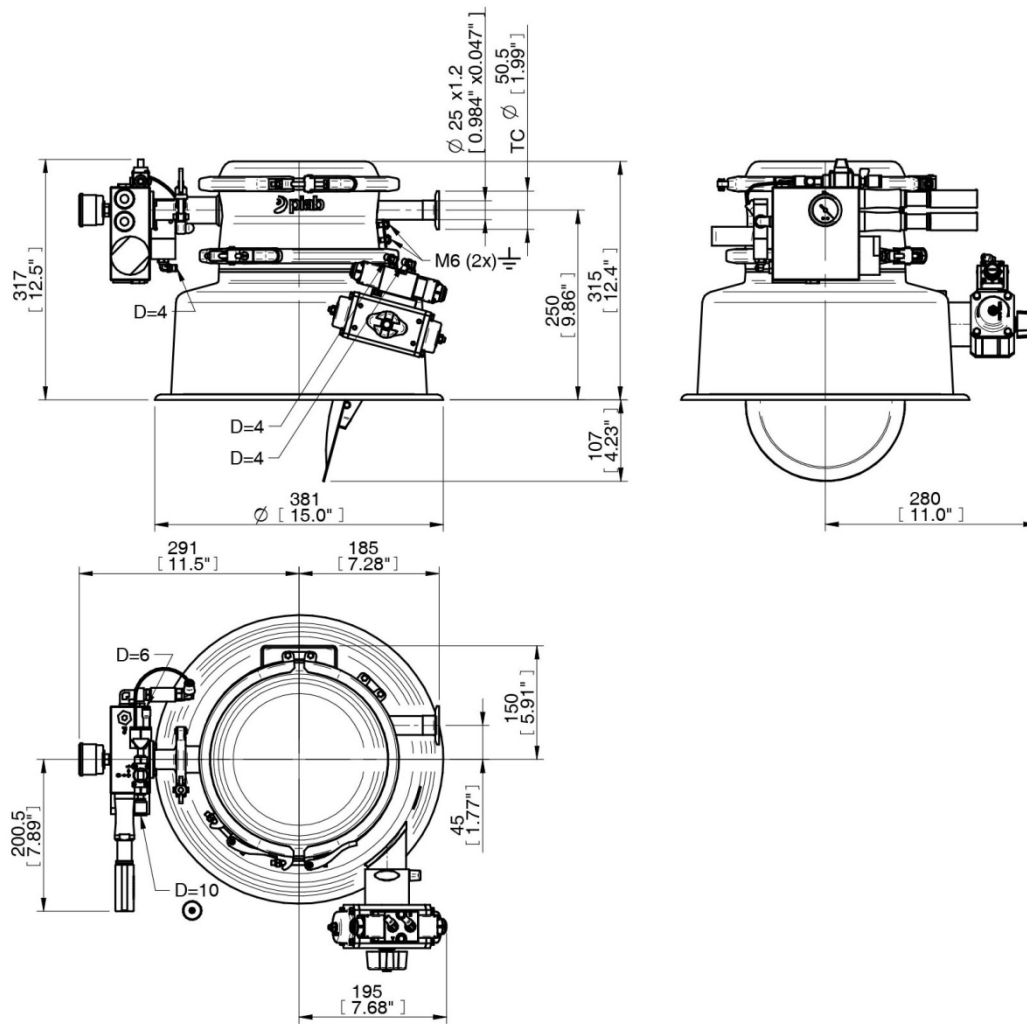
| Description | Unit | Value |
|---------------------------------------|----------------|---|
| Material | | ASTM 316L, EPDM, NBR, PTFE, PET, PA, Al, SS, PP |
| Temperature range – conveyed material | °C | 0-60 |
| Temperature range - ambient | °C | 5-50 |
| Weight | kg | 13 |
| Finish – general surface | Ra | 0.6 |
| Finish – product contact surface | Ra | 0.4 |
| Feed pressure, max. | MPa | 0.7 |
| Feed pressure range | MPa | 0.4-0.6 |
| Air consumption range | NI/s | 2.5-3.5 |
| Noise level range | dBA | 70-73 |
| Vacuum range | -kPa | 60-75 |
| Filter area | m ² | 0.08 |
| Min particle size | µm | 0.5 |
| Material batch volume | l | 2 |
| Feed pressure, max. - actuator | MPa | 0.4 |
| Feed pressure range - control | MPa | 0.4-0.6 |

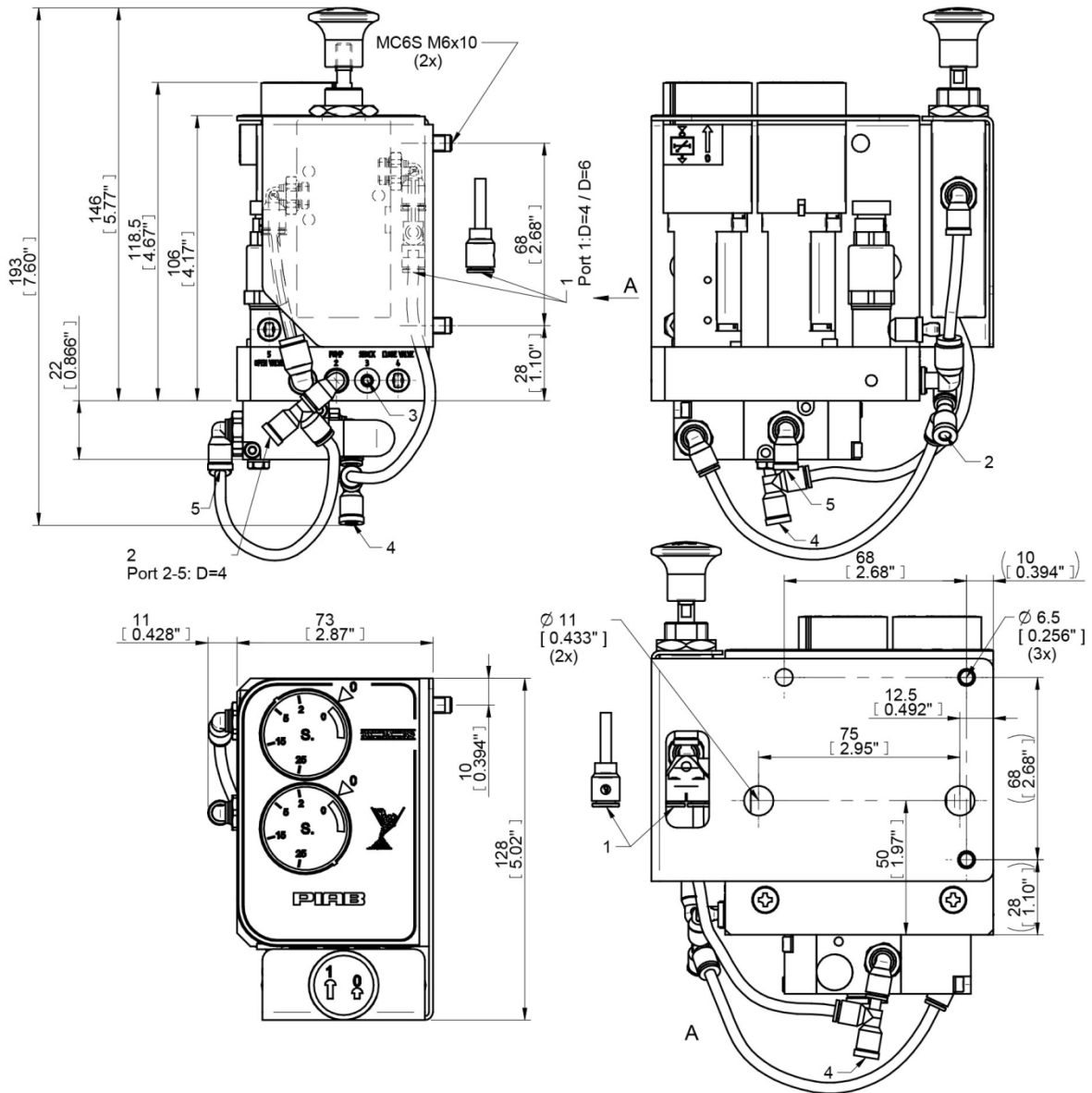
Vacuum flow

| Feed pressure MPa | Air consumption NI/s | Vacuum flow (NI/s) at different vacuum levels (-kPa) | | | | | | | | Max vacuum -kPa |
|----------------------|-------------------------|--|-----|-----|-----|-----|-----|------|------|--------------------|
| | | 0 | 10 | 20 | 30 | 40 | 50 | 60 | 70 | |
| 0.40 | 2.5 | 10.0 | 5.8 | 3.8 | 2.4 | 1.6 | 0.8 | 0.20 | - | 60 |
| 0.50 | 3.0 | 11.4 | 6.6 | 4.4 | 2.8 | 1.7 | 1.2 | 0.7 | 0.36 | 70 |
| 0.60 | 3.5 | 12.0 | 7.0 | 5.2 | 3.4 | 1.8 | 1.2 | 1.0 | 0.7 | 75 |

Ordering information

| Description | Product code |
|--|-------------------------------|
| piFLOW®p, piPREMIUM64, Pleated filter 00, TC Inlet Ø 25(1"), Volume 2L, Full opening, Control PPT/RS, Antistatic & AL, No special documentation, Manual GB | P.P64.P0.25T.2.FA.RS.AAL.0.GB |





Ordering information, recommended spare parts

| Description | Art. No. |
|------------------------------------|----------|
| Pleated filter Ø61/58 L182 M27x1,5 | 0114056 |
| Module seal 21 NBR | 0206433 |
| Module Filter plate seal 21 NBR | 0206434 |
| Bottom valve seal 180 NBR | 0206439 |