

## piFLOW<sup>®</sup>p



- ▶ Compact and modular design.
- ▶ Low building height.
- ▶ Rubber and plastic materials in conveyor are antistatic.
- ▶ COAX<sup>®</sup> technology.
- ▶ Energy efficient and low noise level.
- ▶ Easy to maintain and clean.
- ▶ The conveyor is designed according to USDA guidelines.
- ▶ Designed mainly for industries handling food, chemical and pharmaceutical products.
- ▶ Steel quality ASTM 316L.
- ▶ Solution that contributes to dust-free conveying.
- ▶ The filter has filtration 0.5 µm

Specifications subject to change without notice.

- ▶ Automatic filter cleaning.
- ▶ Fully pneumatic.
- ▶ All material in direct contact with the conveyed product is in compliance with FDA and EC No. 1935/2004, EC No. 10/2011.

## Technical data

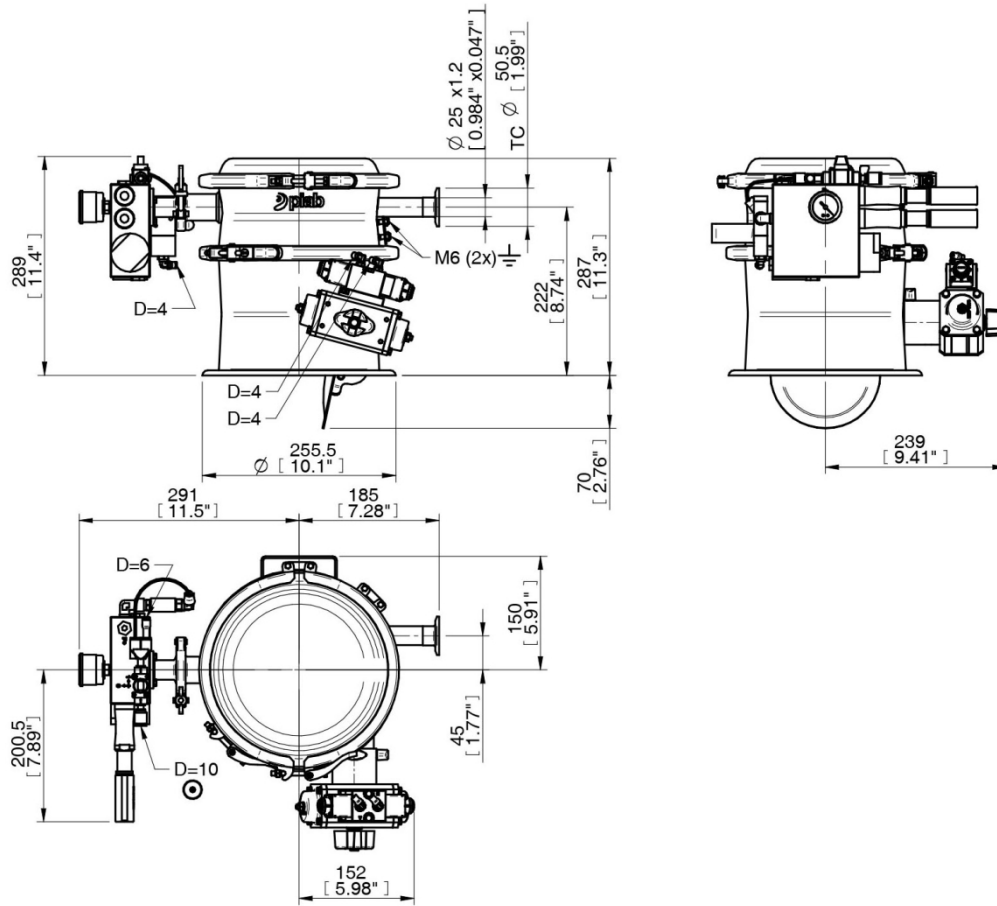
Description	Unit	Value
Material		ASTM 316L, EPDM, NBR, PTFE, PET, PA, Al, SS, PP
Temperature range – conveyed material	°C	0-60
Temperature range - ambient	°C	5-50
Weight	kg	12
Finish – general surface	Ra	0.6
Finish – product contact surface	Ra	0.4
Feed pressure, max.	MPa	0.7
Feed pressure range	MPa	0.4-0.6
Air consumption range	NI/s	2.5-3.5
Noise level range	dBA	70-73
Vacuum range	-kPa	60-75
Filter area	m <sup>2</sup>	0.08
Min particle size	µm	0.5
Material batch volume	l	2
Feed pressure, max. - actuator	MPa	0.4
Feed pressure range - control	MPa	0.4-0.6

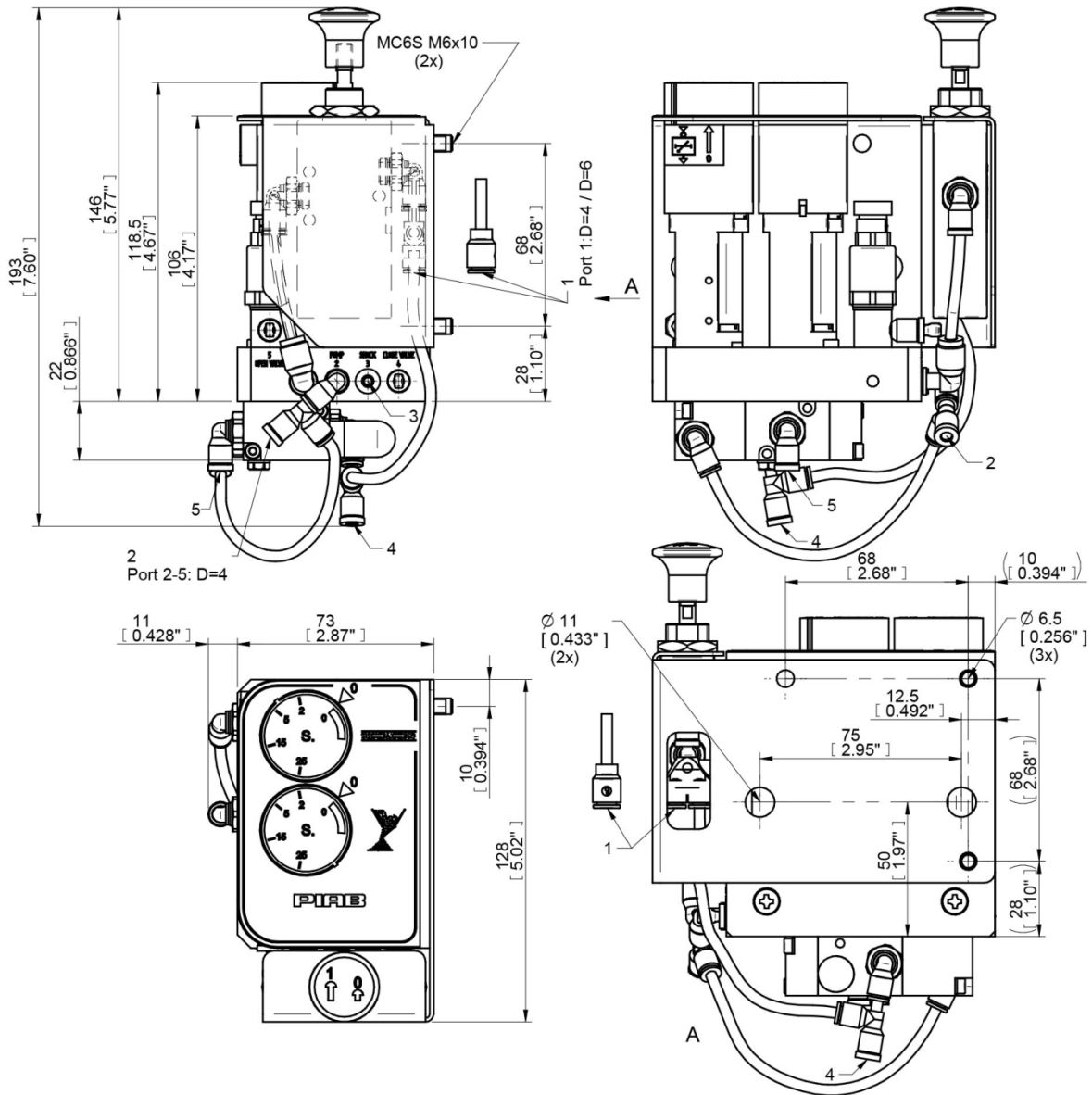
### Vacuum flow

Feed pressure MPa	Air consumption NI/s	Vacuum flow (NI/s) at different vacuum levels (-kPa)								Max vacuum -kPa
		0	10	20	30	40	50	60	70	
0.40	2.5	10.0	5.8	3.8	2.4	1.6	0.8	0.20	-	60
0.50	3.0	11.4	6.6	4.4	2.8	1.7	1.2	0.7	0.36	70
0.60	3.5	12.0	7.0	5.2	3.4	1.8	1.2	1.0	0.7	75

## Ordering information

Description	Product code
piFLOW®p, piPREMIUM64, Pleated filter 00, TC Inlet Ø 25(1"), Volume 2L, Cone opening, Control PPT/RS, Antistatic & AL, No special documentation, Manual GB	P.P64.P0.25T.2.CA.RS.AAL.0.GB





### Ordering information, recommended spare parts

Description	Art. No.
Pleated filter Ø61/58 L182 M27x1,5	0114056
Module seal 21 NBR	0206433
Module Filter plate seal 21 NBR	0206434
Bottom valve seal 125 NBR	0206443